



Short flange design

GENERAL FEATURES

- » 2-piece ball valve with full bore
- » Floating ball, antistatic, lockable
- » Fire Safe
- » Modular system components

CONNECTIONS

Flange in accordance with EN 1092-1 (VIII, Xc)

DIMENSIONS

Face-to-face dimensions in accordance with EN 558-1, series 27

ACCEPTANCE TESTING

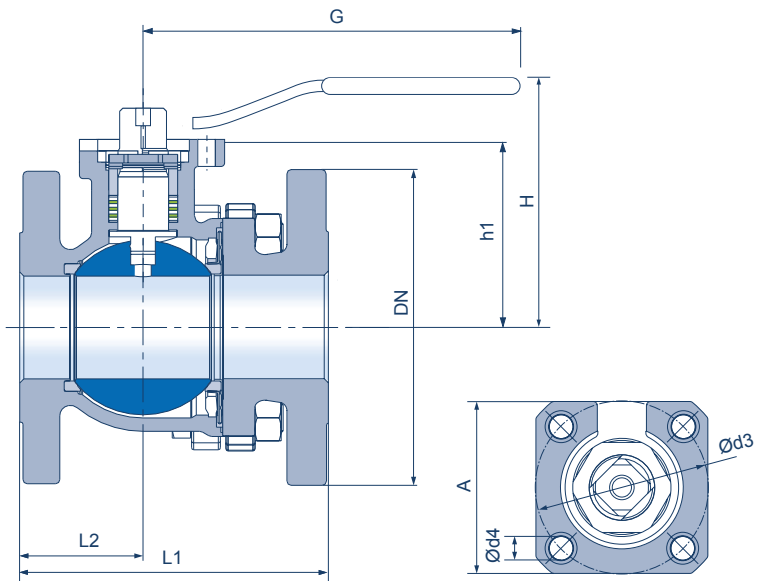
- » Seat leak tightness: EN 12266-1 P12, leakage rate A
- » Tightness to atmosphere: EN 12266-1 P11
- » Strength: EN 12266-1 P10

AUTOMATION

Flange connection in accordance with ISO 5211, allows for direct mounting of an actuator or by means of brackets. Pneumatic and electrical actuators utilizable.

TEMPERATURE

-60 °C to +300 °C (see pT diagram)



KHE-FK VARIANTS

PRESSURE RANGE PN 40

Material: Steel casting 1.0619
(Material code VIII)
Stainless steel casting 1.4408
(Material code Xc)

PRESSURE RANGE PN 16**

Material: Steel casting 1.0619
(Material code VIII)
Stainless steel casting 1.4408
(Material code Xc)

DN	Dimensions					Iz*	PN		Mounting flange for actuator				Weight kg
	L1	L2	H	G	h1		VIII	Xc	ISO	A	Ød3	Ød4	
15	115	50	80	132	35	4	40	40	F04	42	42	5.8	2.3
20	120	45	94	162	46	4	40	40	F04	42	42	5.8	3.4
25	125	45	98	162	50	4	40	40	F04	42	42	5.8	4.1
32	130	50	106	252	65	4	40	40	F05	50	50	7	6.2
40	140	50	113	252	72	4	40	40	F05	50	50	7	7.8
50	150	60	131	317	90	4	40	40	F07	70	70	10	11.4
65	170	65	144	317	100	8	40	40	F07	0	70	10	16.2
80	180	65	162	502	122	8	40	40	F10	102	102	12	23.9
100	190	75	176	502	135	8	40	40	F10	102	102	12	31.6
125	325	125	211	652	175	8	40	40	F12	125	125	15	64
65	170	65	144	315	100	4	16	16	F07	0	70	10	16.2
100	190	75	176	500	135	8	16	16	F10	102	102	12	31.6
125	325	125	211	650	175	8	16	16	F12	125	125	15	64
150	350	140	234	650	195	8	16	16	F12	125	125	15	62.7
200	400	165	300	650	236	12	16	16	F12	140	125	15	99.8

* Number of bores

** In accordance with the norm, the flange face-to-face dimensions of the nominal pipe sizes DN 15-50 as well as DN 80 are the same for PN 16 and PN 40 variants.

