

BASKET STRAINER

Type SU-20, 20S, 20C / Water, Oil

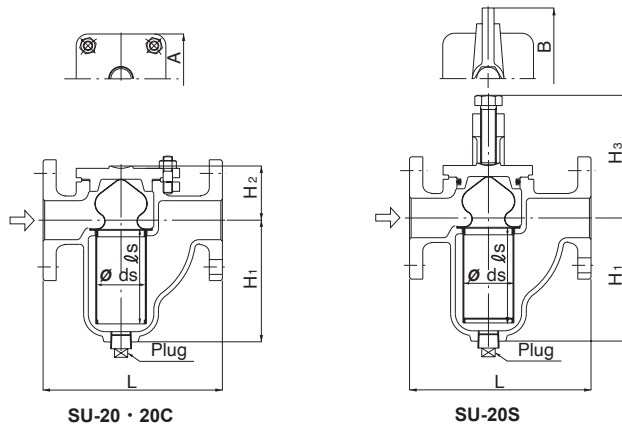
YOSHITAKE



SU-20

SU-20C

SU-20S



SU-20 · 20C

SU-20S

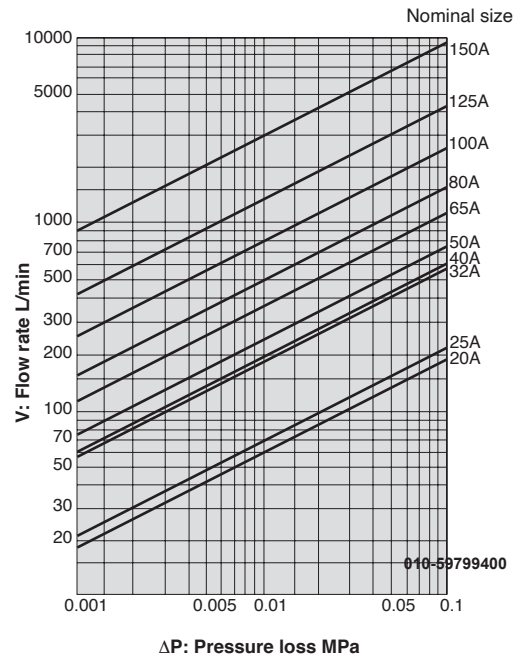
- Basket
- Nylon
- One-touch

FEATURES

1. The largest possible filtration area in view of flow rate decrease caused by clogging.
2. Disassembling and cleaning are easy due to a simply structured cover that can be fixed and removed simply by tightening or unfastening a single bolt.
3. Excellent corrosion resistance due to the inner and outer surface coated with Nylon 11 (SU-20C).

PRESSURE LOSS CHART (FOR WATER)

Screen: Perforation = $\varnothing 6-1.42$ holes/cm²,
Mesh = 60 mesh



DIMENSIONS (MM) AND WEIGHTS (KG)

Size	L	H ₁	H ₂	H ₃	A	B	ds	ls	Plug	Weight	
										SU-20	SU-20S
20A	175	97.5	54	107.5	87	131	40	70	R 3/8	5.0	5.6
25A	175	97.5	54	107.5	87	131	40	70	R 3/8	6.1	6.7
32A	230	146	67.5	151	115	179	64.5	108	R 3/4	11.1	12.5
40A	230	146	67.5	151	115	179	64.5	108	R 3/4	11.8	13.2
50A	230	156	69.5	153	115	179	64.5	120	R 3/4	12.4	13.8
65A	290	182	70	153.5	134	208	77	140	R 1	18.7	20.8
80A	300	197.5	88.5	189	185	249	90	160	R 1	23.8	27.1
100A	365	262	118.5	253	220	334	120	210	R 1-1/4	41.3	48.6
125A	425	340.5	134.5	269	248	362	140	270	R 1-1/2	61.4	69.4
150A	505	378	158.5	293	305	414	175	300	R 2	98.4	108.3

SPECIFICATIONS

Model		SU-20 · 20C	SU-20S			
Application		Cold and hot water, Oil, Other non-dangerous fluids				
Nominal size		20A-150A	20A-100A	125A	150A	
Maximum pressure		1.0 MPa	1.0 MPa	0.7 MPa	0.5 MPa	
Maximum temperature		220°C (60°C in the case of the SU-20C)		80°C		
Material	Body	Ductile cast iron				
	O-ring	—		NBR		
	Screen	Stainless steel				
Screen	Perforation	$\varnothing 6-1.42$ holes/cm ²				
	Mesh	Standard 60 mesh				
Connection		JIS 10K FF flanged				

• Available with rust-proof (SU-20).

• Available with 20 to 250 mesh screen.