



STEAM LEVEL GAUGE COCKS

Type R 100-D



Level Gauge Complete Set

R 100-D

PN 40

22 bar

216 °C

Saturated Steam

Nominal Pressure : PN 40, 22 bar
216 °C Saturated Steam with gauge cock D Construction to KLINGER material code FS/H, M/H

Gauge glass :
Klinger Reflex glass B
Material Borosilicate

Nominal Pressure : PN 63, ANSI 400

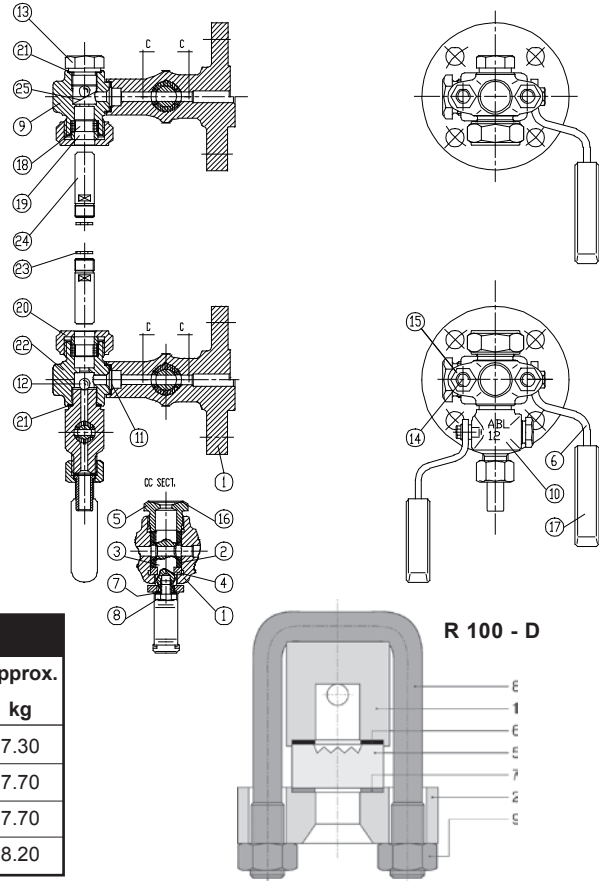
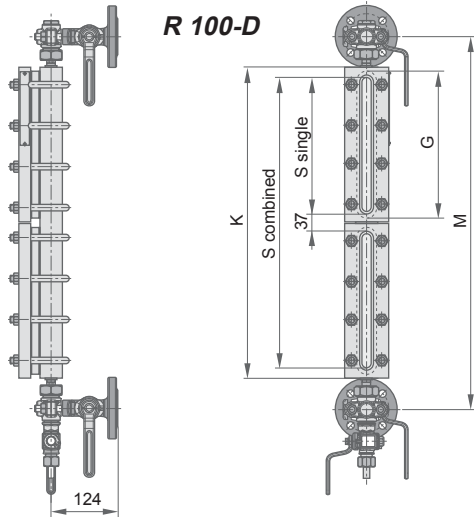
Construction to KLINGER material code FS/H, M/H

Shut-off fitting for :
Gauges K, R 100-D

D

PN 63

ANSI 400



Overall and Connection Dimensions (mm) Type D

Flange Connection	H	A	B	D	b	g	f	Drilled			Approx. kg
								No. holes	l	k	
DN 20 PN 40	124	142	78	105	18	58	2	4	14	75	7.30
DN 25 PN 40	124	142	78	115	18	68	2	4	14	85	7.70
3/4" ANSI 300	123	142	78	117.5	16	43	1.6	4	19	82.6	7.70
1" ANSI 300	124	142	78	124	17.5	50.8	1.6	4	19	88.9	8.20

Part Name	Material FS/H	Material M/H
1 Gauge cock flanged body	A105	F316L
2 Packing sleeve AB18	Graphite	Graphite
3 Cock plug AB18	AISI316	AISI316
4 Split ring AB18	AISI316	AISI316
5 Tightening nut AB18	A105	AISI316
6 Handle AB18	FE 37B	FE 37B
7 Washer	R40	R40
8 Hexagon head cap screw	8.8	8.8
9 Upper head type D	A105N	AISI316
10 Cock ABL12	A105	A105
11 Gasket	Klinger graphite laminate	Klinger graphite laminate
12 Safety ball 1/2"	AISI316	AISI316
13 Stuffing box plug	A105	AISI316
14 Stud bolts	A193 B7	A193 B7
15 Nuts	A194 2H	A194 2H
16 Name plate	AISI304	AISI304
17 Plastic blue cover	Nylon	Nylon
18 Gland ring KU	Graphite	Graphite
19 Packing gland (thrust ring)	A105	A105
20 Union nut	A105	A105
21 Lower/Upper gasket	Nickel	Nickel
22 Lower head type D	A105N	AISI316
23 End tube gasket	-	-
24 End tube	AISI316	AISI316
25 Upper spring	AISI301	AISI301

Materials Type R100

Part Name	Materials	
	FS/H	M/H
1. Level gauge body	A105	A316
2. Cover	A105	A105
5. Glass	Borosilicate	Borosilicate
6. Sealing gasket	Graphite	Graphite
7. Cushion joint	Klinger-SIL	Klinger-SIL
8. Bolt	B7	B7
9. Nut	2H	2H

Dimensions (mm) Type R100

Gauge Size	Center to Center Distance (M)	Body Length (K)	Sight Length (S)	Glass Length (S)
II	255	153	118	140
III	280	178	143	165
IV	305	203	168	190
V	335	233	198	220
VI	365	263	228	250
VII	395	293	258	280
VIII	435	333	298	320
IX	455	353	318	340

