

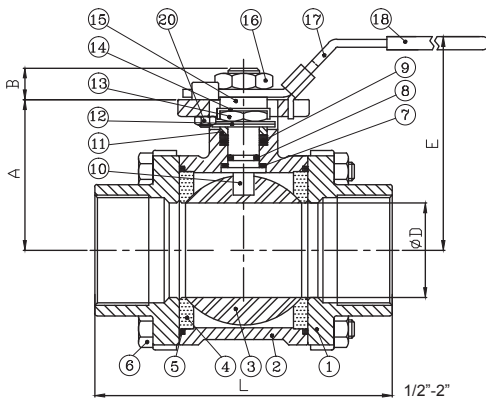
# 3-PIECE BALL VALVE

With Mounting pad  
Type 302F-BSPT



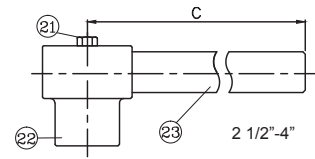
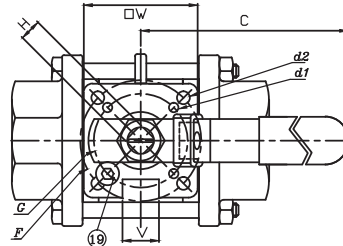
1000WOG/ PN 63

SIZE: 1/4"-4"



## Specification

- Body & end caps quality investment casting
- Available in stainless steel or carbon steel
- 100% air tested under water at 80-100 PSI
- Temperature range : -20°F to 450°F
- with locking function
- End type: threaded, socket weld, butt weld
- with ISO 5211 direct mounting pad
- Adjustable stem packing
- Blow-out proof stem design
- Working pressure:  
1/2-2" 1000 psi  
2 1/2-4" 800 psi



## Break-Torque Valve for (Nm/at 0 psi)

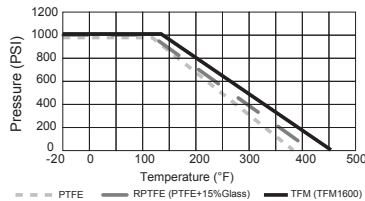
Size	1/4"	3/8"	1/2"	3/4"	1"	1 1/4"	1 1/2"	2"	2 1/2"	3"	4"
GREASE	3.5	3.5	5	5.5	7	11	17	23	35	46	72
NON-GREASE	5	5	6	7	9.5	16	27	30	68	85	105

## Standard Material Specifications

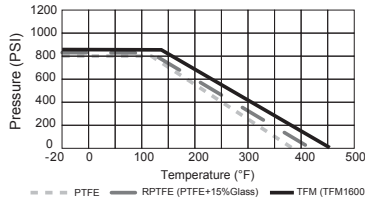
No.	Part Name	Materials	No.	Part Name	Materials
1	End cap	CF8M	13	Stem Nut	SS 304
2	Body	CF8M	14	Nut Stop	SS 304
3	Ball	SS 316	15	Space Washer	SS 304
4	Ball Seats	TFM1600	16	Handle Nut	SS 304
5	Gasket	TFM1600	17	Handle	SS 304
6	Bolts	SS 304	18	Handle Cover	PLASTISOL
7	Thrust Washer	TFM1600	19	Stop Pin	SS 304
8	O-Ring	VITON	20	Nut	SS 304
9	Stem Packing	TFM1600	21	Set Bolt	SS 304
10	Stem	SS 316	22	Lever Head	CF8
11	Gland	SS 304	23	Lever	CARBON STEEL
12	Disk Washer	SS 301			

## PRESSURE TEMPERATURE RATINGS

1/4"-2"



2-1/2"-3"



## Dimensions (mm)

Size	A	B	C	D	d1	d2	E	F	G	H	L	L1	V	W
1/4"	37	11	130	11	6.0	6.0	58	36	42	9	60.5	60.5	19	44
3/8"	37	11	130	12.5	6.0	6.0	58	36	42	9	60.5	60.5	19	44
1/2"	37	11	130	15	6.0	6.0	58	36	42	9	63.5	63.5	19	44
3/4"	40	11	130	20	6.0	6.0	64	36	42	9	75.5	75.5	19	44
1"	48	14	155	25	6.0	7.0	77	42	50	11	86	86	24	52
1-1/4"	53	14	155	32	6.0	7.0	83	42	50	11	96	104	24	52
1-1/2"	63	18	205	38	7.0	9.0	92	50	70	14	111	117	28	53
2"	72	18	205	50	7.0	9.0	100	50	70	14	129	138	28	53
2-1/2"	92	22	300	65	9.0	11.3	140	70	102	17	152.5	170	-	92
3"	102	22	300	80	9.0	11.3	150	70	102	17	168.5	192	-	92
4"	132	26	300	100	11.3	13.5	195	102	125	22	212.5	226	-	102

