

# 3-PIECE BALL VALVE

Type 301F

1000WOG/ PN 63

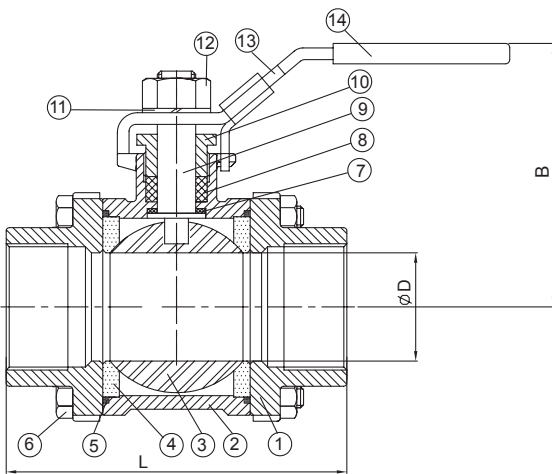
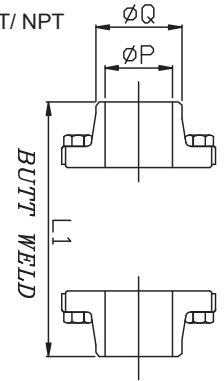
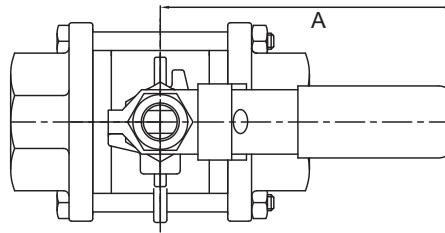
SIZE: 1/4"-2"



### Specification

- For chemical and industrial applications
- Blow-out proof stem design
- 100% air tested under water at 80-100 psi
- Working pressure: 1000 psi
- Temperature range -60°F to 450°F
- End type: threaded/ Socket Weld/ Butt Weld/ BSPT/ NPT

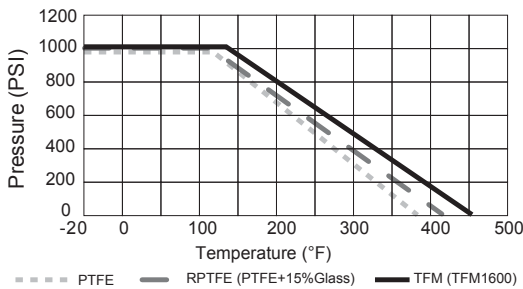
Complete with : locking device



### Standard Material Specifications

No.	Part Name	Materials
1	End Cap	A351 Gr. CF8M
2	Body	A351 Gr. CF8M
3	Ball	SS 316
4	Ball Seats	TFM1600
5	Gasket	TFM1600
6	Bolts	SS 304
7	Thrust Washer	TFM1600
8	Stem Packing	TFM1600
9	Stem	SS 316
10	Gland	SS 304
11	Spring Washer	SS 304
12	Stem Nut	SS 304
13	Handle	SS 304
14	Handle Cover	PLASTISOL

### PRESSURE TEMPERATURE RATINGS



### Dimensions (mm)

Size	A	B	D	L	S	T	P	Q	L1	W(kg)	Alpha Code		
											BSPT	BW	NPT
1/4"	122	47	11	56.4	14.2	11.1	-	-	-	0.36	V24E047301	V24E047311	V24E047401
3/8"	122	47	12.5	56.4	17.5	11.1	-	-	-	0.36	V24E047302	V24E047312	V24E047402
1/2"	122	49	15	63.5	21.8	12.7	15.5	21.5	63.5	0.48	V24E047303	V24E047313	V24E047403
3/4"	142	55	20	75.5	27.1	14.3	20.6	27.5	75.5	0.84	V24E047304	V24E047314	V24E047404
1"	164	71	25	86	33.8	15.9	26.7	34.5	86	1.1	V24E047305	V24E047315	V24E047405
1-1/4"	164	76	32	96	42.5	17.5	35.1	42.8	104	1.78	V24E047306	V24E047316	V24E047406
1-1/2"	212	83	38	111	48.7	19.1	40.5	48	117	2.54	V24E047307	V24E047317	V24E047407
2"	212	94	50	129	61.1	22.2	52.4	61	138	4.12	V24E047308	V24E047318	V24E047408