

3-WAY PISTON VALVE

Type VP3W-SR



For Steam, Gas, Hot and Cold Fluids



VP3W-FR



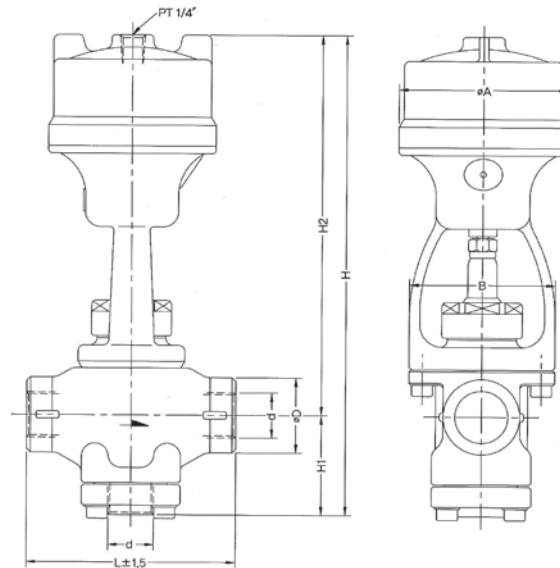
VP3W-SR



VP3W-FD



VP3W-SD



BODY
Cast Stainless Steel (SCS13)

STEM
Stainless Steel

DISC RING
PTFE (Graphite-Reinforced)

CYLINDER
Entirely grinded & plated with chrome

LOWER SEAT FLANGE
Cast Stainless Steel (SCS13)

SPRING
Shot-peening has been done to prolong the lifetime

Piston Valve works with a little air pressure.

So, it is used as On/Off valve that controls the flow and direction of liquid by up/downward piston movement inside the cylinder, which is operation part.

The trim part is made of PTFE (Teflon) soft seal, so that it can be perfectly sealed.

FLUID	STEAM, INDUSTRIAL WATER, GAS, AIR, VACUUM	
Pressure	Max. 32 kg/cm ²	455psi
Temperature	Max. 230°C	446°F
Air Supply	2.5 ~ 3.5 kg/cm ²	36 - 50 psi

MODEL	VALVE SIZE (d)	F to F (L)	D	H1	H2	H	A	B	WEIGHT (KG)	END CONN.
VP3W-SR15	1/2"	85	28	48	177	225	83	75	2.6	THREADED BSPT
VP3W-SR20	3/4"	110	36	53	202	225	91	78	3.8	
VP3W-SR25	1"	120	42	67	254	321	111	102	6.5	
VP3W-SR32	1 - 1/4"	145	55	71	281	352	133	115	9.2	
VP3W-SR40	1 - 1/2"	150	58	91	318	409	167.5	128	12.7	
VP3W-SR50	2"	174	70	102	388	490	191	138	27.2	

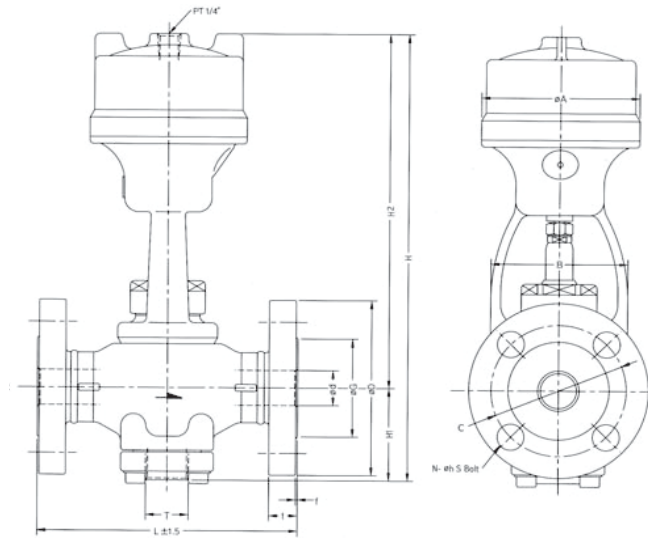


3-WAY PISTON VALVE

Type VP3W-FR / VP3W-FR(S)

Valas®

ALPHA GROUP



BODY

Cast Stainless Steel (SCS13)

STEM

Stainless Steel

DISC RING

PTFE (Graphite-Reinforced)

CYLINDER

Entirely grinded & plated with chrome

LOWER SEAT FLANGE

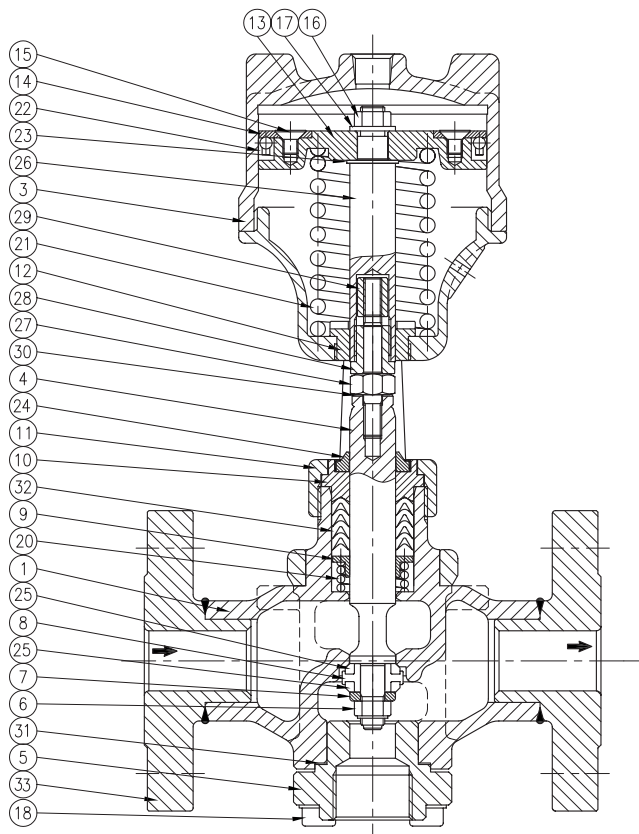
Cast Stainless Steel (SCS13)

SPRING

Shot-peening has been done to prolong the lifetime

(S) Means SUS Flange

MODEL	VALVE SIZE	Port F to F			FLANGE SIZE								WEIGHT (KG)	END CONNEX.				
		T	d	L	D	C	G	t	f	N	h	S			H1	H2	H	A
VP3W-RF15	1/2"	15	146	95	70	51	14	1	4	15	M12	48	177	225	83	75	4.1	FLANGED JIS 20K A105
VP3W-RF20	3/4"	20	146	100	75	56	16	1	4	15	M12	53	202	255	91	78	5.5	
VP3W-RF25	1"	25	167	125	90	67	16	1	4	19	M16	67	254	321	111	102	9.5	
VP3W-RF32	1 - 1/4"	32	190	135	100	76	18	2	4	19	M16	71	281	352	133	115	12.7	
VP3W-RF40	1 - 1/2"	40	190	140	105	81	18	2	4	19	M16	91	318	409	167	128	19.8	
VP3W-RF50	2"	50	216	155	120	96	18	2	8	19	M16	102	388	490	191	138	32	



VP3W-FR / VP3W-SR			
NO.	PART NAME	NO.	PART NAME
1	Body	18	Socket Screw Bolt
2	Yoke Stand	19	Socket Screw Bolt
3	Cylinder	20	Packing Spring
4	Stem	21	Spring
5	Lower Seat Flange	22	Piston Ring
6	U-Nut	23	Piston Rod Gasket
7	Guide Washer	24	Dust Seal
8	Disc Adapter	25	Disc Ring
9	Ring Washer	26	Piston Rod
10	Gland	27	Tension Bolt
11	Gland Nut	28	Compress Nut
12	Guide Bush	29	Setting Nut
13	Piston	30	Spring Washer
14	Set Ring Plate	31	Lower Seat Gasket
15	Bolts	32	Gland Packing
16	Nut / Rod	33	Flange
17	Spring Washer		