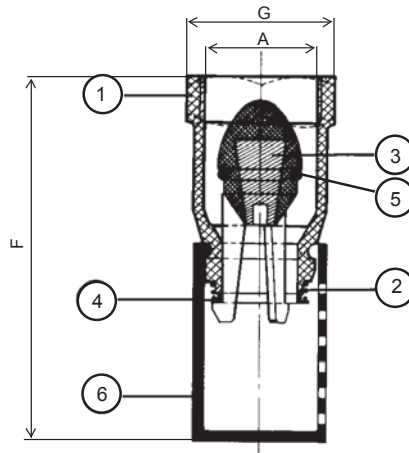


# FOOT VALVE WITH STRAINER

Type 190

Brass body PN 10 DN 1" 1/2 and 2" F



### Technical Characteristics

- Operates in any position
- Minimum headloss
- Reliable, robust, simple

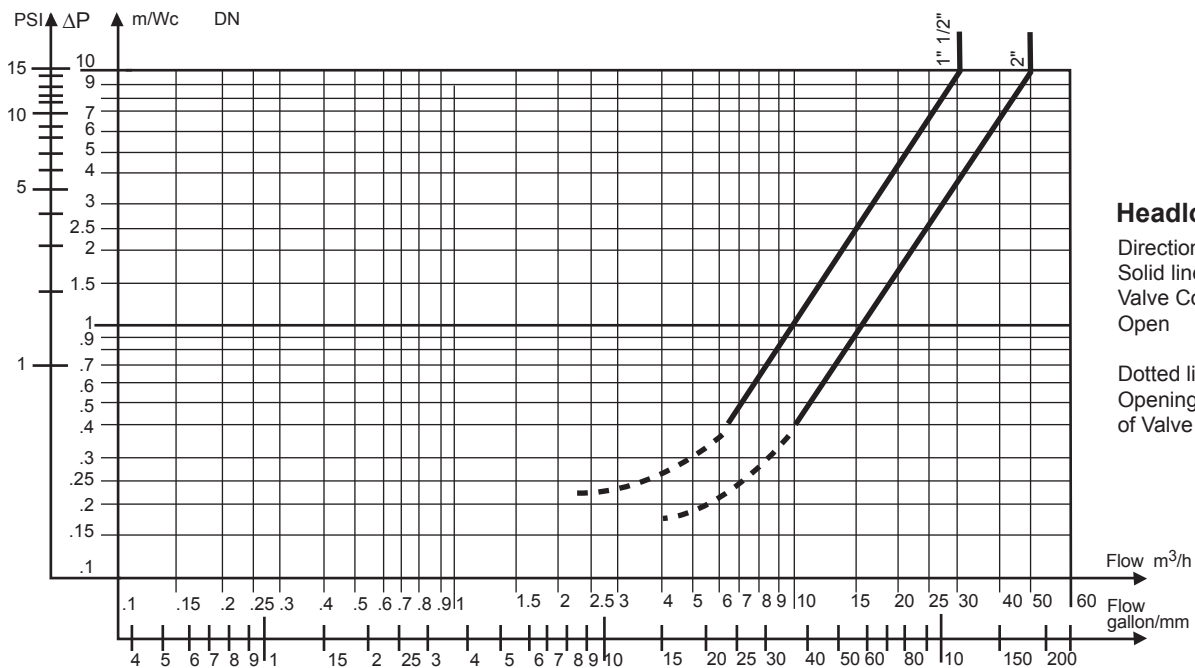
### Description

- Closing system : Tripod formation with hydraulic profile with release spring
- Long axial guiding
- Sealing ensured by a pliable O-Ring on a rigid seat

Characteristics			
Temperature IN °C	MIN.	-10°C	Service
	MAX. AT PEAK	80°C	
Pressure in bar	OPENING PRESSURE	Between 10 and 25 cm/WC depending on sizes	
	SERVICE	10	
	TESTING PRESSURE	16	
Mediums	Clear liquids		
Headloss Chart	See overleaf		
Connections	Female (BSP) thread		
Approvals	France : VERITAS		

References - Dimensions			
Ref		A	
BSP	NPT	Inch	mm
3924	5924	1" 1/2	40/49
3925	5925	2"	50/60
F		G mm	Weight
mm		on flats	g
148		53	320
179		66	820

Nomenclature							
Nb	Description	Qty	Materials	Afnor	DIN	BS	ANSI
1	Casing	1	Brass	CUZN40Y30	G-CUZN40PB	DCB3	B584857
2	Ring	1	Delrin : Pom Polyacetal (Polyoxymethylene)				
3	Closing System	1	Rilsan : P.A. Super Polyamide				
4	Spring	1	Stainless Steel	Z10CN1809	1.4300	302S25	AISI 302
5	Seal	1	Nitrile : NBR Rubber				
6	Strainer	1	Lathene HD : P.E. Polyethylene				



### Headloss Chart

Directions for use :  
 Solid line : Valve Completely Open  
 Dotted line : Opening Stage of Valve