

# DIFFERENTIAL BACK PRESSURE

Type CL306/CL306C

**SOCCLA**  
A WATTS Brand

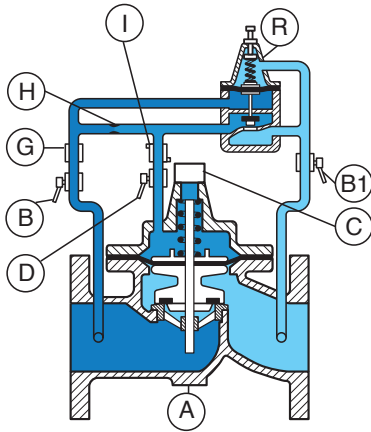


**NB : Additional information is available on the data sheet listed as «Main valve».**

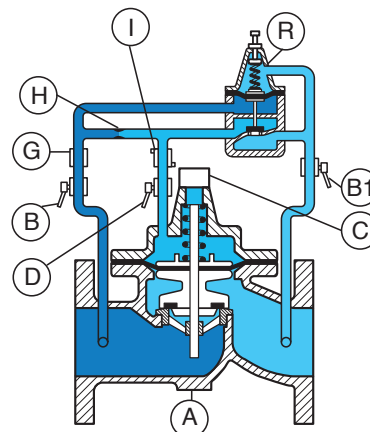
## Mounting on a by-pass :

- Maintains a constant preset differential pressure across the installation.
- It allows : to maintain a constant differential pressure between 2 systems, by any variations of upstream pressure.  
: to maintain a constant differential pressure between upstream and downstream of a pressure group.
- Equipped with check valves, it closes automatically in case of backflow (CL306C).

## Working principal

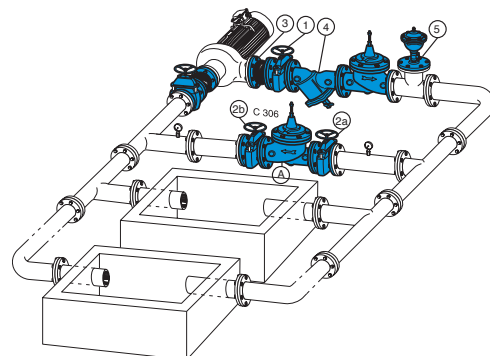


The differential pressure increases. Pilot valve R will open, as well as main valve A. The head loss (and the differential pressure as well) decreases.



The differential pressure decreases. Pilot valve R will close, as well as main valve A. The head loss (and the differential pressure as well) increases.

## Installation example and spare parts list



No	Description	Material
A	Main valve	Cast iron
B	Upstream isolation valve	Nickel plated brass
B1	Downstream isolation valve	Nickel plated brass
C	Drain cock	Brass
D	Chamber isolation valve	Nickel plated brass
G	Strainer	Brass
H	Orifice	Stainless steel
I	Flow control	Brass
J	Check valve (type CL306C)	Nickel plated brass
R	Pilote	Stainless steel

No	Description
1	Isolation valve of the by-pass
2	Isolation valves of the main water pipe
3	Rubber expansion joints
4	Check valve

