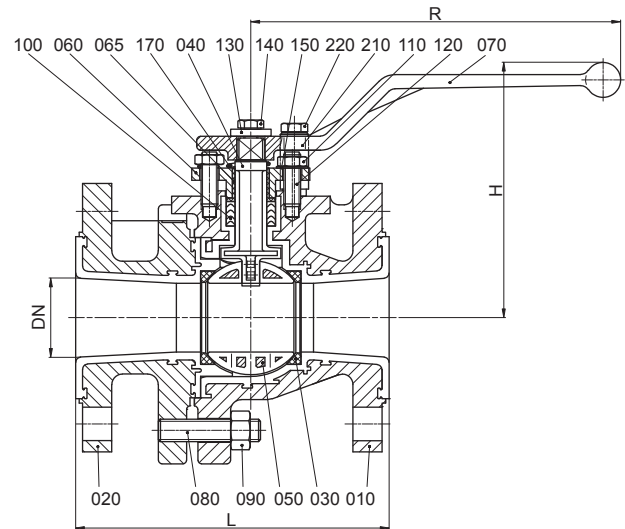
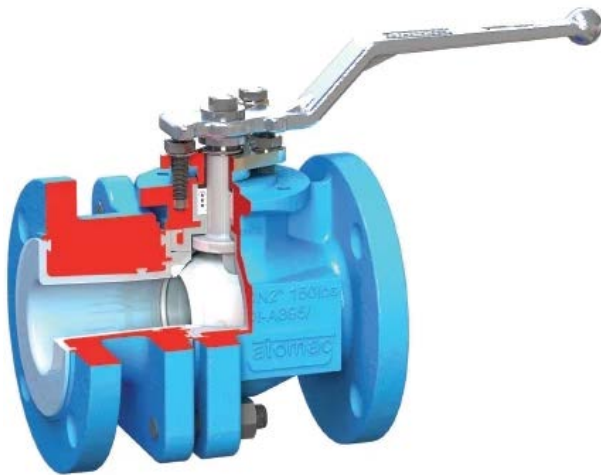


Atomac Lined Ball Valves Type AKH3



The AKH3 is an ANSI B16.10 short pattern, 150 lbs., reduced port, lined ball valve with a minimum cavity space.

The floating ball design ensures bubble-tight shut-off across the pressure range of 1 mbar to 19 bar.

Long term protection against external leakage to atmosphere is provided by PTFE chevron packing rings in a deep stuffing box, the substantial body flanges and the moulded liner seal.

An anti static device provides protection against potentially dangerous electrostatic discharge and the anti blow-out safety stem design eliminates the possibility of a blow-out

Also available as V-port ball valve for precise modulating control services and various liner materials incl. conductive PFA.

Flange Connections

ANSI B 16.5, 150lbs

Dimensions - mm.

SIZE	ANSI	L	H	R	t	Ød	Weight (kg)
1"	150#	127	120	160	56	20	4.4
1½"	150#	165	120	160	77.5	24	6.2
2"	150#	178	145	210	78.5	38	10.6
3"	150#	203	160	210	94	48	16.1
4"	150#	229	205	313	105	80	30.2
6"	150#	267	220	313	134	100	50.2
8"	150#	292	312	337°	129	147	106.6
10"	150#	330	373	450°	155	195	173.7
12"	150#	356	363	450°	176.5	195	237.0
14**	150#	381	--	--	190.5	245	320.0

°° pass-through handlever Ø 674 mm standard ° pass-through handlever Ø 900 mm standard
* ball valve only with manual actuator (weight without actuator)

Standard Material Specifications

No.	Description	Material	No.	Description	Material
010	body	ductile cast iron with PFA (EN-JS1049/ ASTM A395)	080	stud bolt	stainless steel (1.4301-K70/ ASTM A193 B8)
020	side piece	ductile cast iron with PFA (EN-JS1049/ ASTM A395)	090	hexagon nut	stainless steel (1.4301-K70/ ASTM A194 8)
030	seat ring	PTFE	100	packing material (chevron)	PTFE / PTFE - graphite °
040	stem	stainless steel (1.4470) with PFA**	110	hexagon nut	stainless steel (1.4301/ ASTM A194 8)
050	ball	[size 1"-3"]= Alloy steel (1.2343) with PFA	120	stud bolt	stainless steel (1.4301/ ASTM A193 B8)
		[size 4"-14"]= ductile cast iron with PFA	130	lock washer	stainless steel (1.4301/ AISI 304)
		(EN-JS1049/ ASTM A395)	140	hexagon bolt	stainless steel (1.4301/ ASTM A193 B8)
060	gland follower	stainless steel - 1.4308	150	serrated lock washer	stainless steel (1.4301/ AISI 304)
065	gland insert	PTFE-graphite	170	grounding device	stainless steel (1.4310 / AISI 301)
070	hand lever	[size 1"-3"]= die cast metal (EN 12844)	210	stop	[size 1"-3"]= steel (galvanized)
		[size 4"-6"]= ductile iron (EN-GJS-50-7)			[size 4"-12"]= stainless steel (1.4704/ AISI 430F)
		[size 8"-12"]= steel (1.0037/ DIN EN 10025-2)	220	hexagon bolt°°	stainless steel (1.4301/ ASTM A193 B8)

** Hastelloy stem on request

° optional

°°DN 8" and 10" tow exemplar

