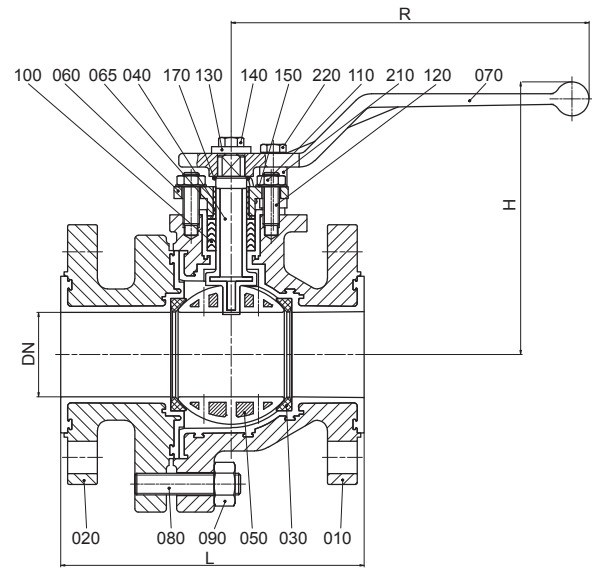


Atomac Lined Ball Valves Type AKH2A



The AKH2A is an ANSI B 16.10 short pattern full port lined ball valve. This valve has the same characteristics as the AKH2 however, at reduced space and weight. The AKH2A is available with FEP and PFA liners as standard – other lining materials on request.

Flange Connections

ANSI B 16.5, 150lbs

Dimensions - mm.

SIZE	ANSI	L	H	R	t	Ød	Weight (kg)
1"	150#	127	120	160	57.5	24	4.2
1½"	150#	165	145	210	75	38	7.8
2"	150#	178	160	210	82	48	11.6
3"	150#	203	205	313	100.5	72	25.7
4"	150#	229	220	313	111	95	36.9
6"	150#	267	299	337*	134	130	78.0

* pass-through handlever ø 674 mm standard

Standard Material Specifications

No.	Description	Material	No.	Description	Material
010	body	ductile cast iron with PFA (EN-JS1049/ ASTM A395)	080	stud bolt / hexagon bolt	stainless steel (1.4301-K70/ ASTM A193 B8)
020	side piece	ductile cast iron with PFA (EN-JS1049/ ASTM A395)	090	hexagon nut	stainless steel (1.4301-K70)
030	seat ring	PTFE	100	packing material (chevron)	PTFE / PTFE - graphite °
040	stem	stainless steel (1.4470) with PFA**	110	hexagon nut	stainless steel (1.4301/ ASTM A194 8)
050	ball	[size ½"-2"]= Alloy steel (1.2343) with PFA [size 3"-14"]= ductile cast iron with PFA (EN-JS1049/ ASTM A395)	120	stud bolt	stainless steel (1.4301/ ASTM A193 B8)
			130	lock washer	stainless steel (1.4301/ AISI 304)
			140	hexagon bolt	stainless steel (1.4301/ ASTM A193 B8)
060	gland follower	stainless steel - 1.4308	150	serrated lock washer	stainless steel (1.4301/ AISI 304)
065	gland insert	PTFE-graphite	170	grounding device	stainless steel (1.4310 / AISI 301)
070	hand lever	[size ½"-2"]= die cast metal (EN 12844) [size 3"-4"]= ductile iron (EN-GJS-50-7) [size 6"-8"]= steel (1.0037/ DIN EN 10025-2)	210	stop	[size ½"-4"]= steel (galvanized) [size 6"-8"]= stainless steel (1.4704/ AISI 430F)
			220	hexagon bolt	stainless steel (1.4301/ ASTM A193 B8)

** Hastelloy stem on request

° optional

