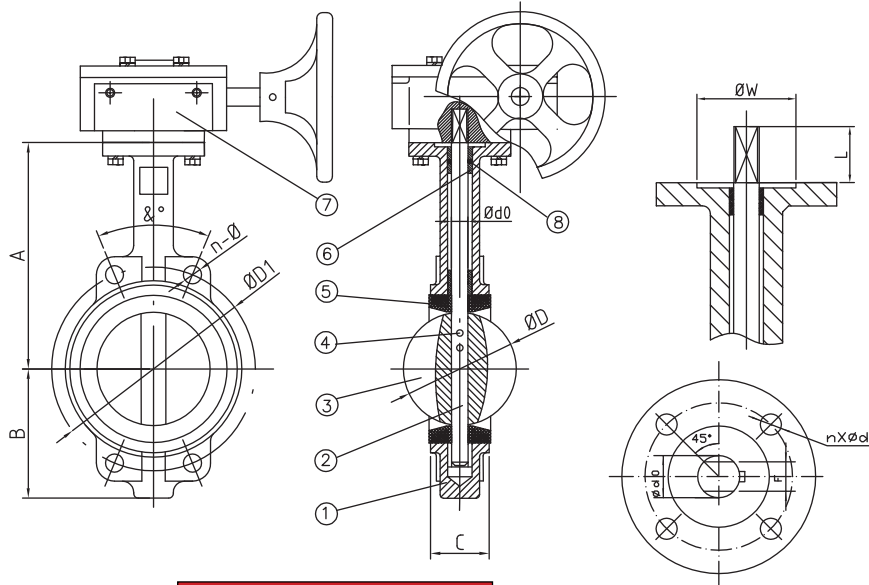


BUTTERFLY VALVE (GEAR)

Type 202, Wafer Type



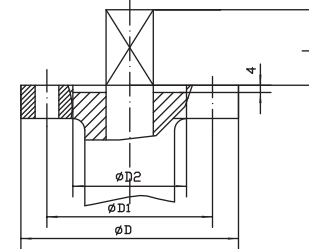
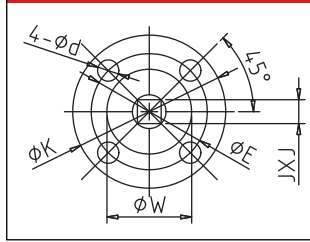
Torque Value

(Unit: N.M)

Size	WORKING PRESSURE	
	1.0MPa	1.6MPa
DN150	162.5	175
DN200	287.5	332.5
DN250	487.5	505
DN300	712.5	821.25

(Already included Safety Factor: 1.25)

new version Top Flange



Material

No.	Part Name	Materials	Qty
1	Body	A126 CL.B with Ral 5017 blue epoxy painting	1
2	Stem	SS316	1
3	Disc	CF8M	1
4	Pin	Stainless Steel	2
5	Seat	EPDM	1
6	Bushing	P.T.F.E.	4
7	Gear	Cast iron with black painting	1
8	O-Ring	NBR	1

Size	ISO 5211	D	D1	D2	L	n x Ød		d0	F
						n	Ød		
DN150	F 07	90	70	55	30	4	10	18.92	14
DN200	F 10	125	102	70	40	4	12	22.10	17
DN250	F 10	125	102	70	40	4	12	28.45	22
DN300	F 10	125	102	70	45	4	12	31.60	24

Dimensions

Size	A	B	C	D	d0	L	4-Ø	D1	&°	ØK	ØE	ØW	4-Ød	F
DN150	226	139	56	155.6	18.92	30	BODY FLANGE ACCORDING TO PN10/ PN16/ ANSI 150 / JIS 10K			90	70	55	1-10	14
DN200	260	175	60	202.5	22.1	40				125	102	70	4-12	17
DN250	292	203	68	250.5	28.45	40				125	102	70	4-12	22
DN300	337	242	78	301.6	31.6	40				125	102	70	4-12	24

