



2000 Series Stainless Steel Traps



The Armstrong stainless steel traps—Series 1000, Series U-1000, Series 1800 and Series 2000—have high resistance to damage from freeze-ups. They also offer high resistance to wear and corrosion for longer service reliability, and they provide continuous air venting.

Armstrong stainless steel traps provide maximum ease and economy of installation, inspection or replacement. What's more, an Armstrong stainless steel trap is the ideal solution for trapping applications such as tracer lines, steam mains, and heating and processing applications.

Wear and corrosion resistance

Free-floating guided lever valve mechanism is "frictionless," and all wear points are heavily reinforced. All working parts are stainless steel. Valve and seat are stainless steel, individually ground and lapped together in matched sets.

360° universal 304 stainless steel connector

Provides quick, easy in-line renewability along with all the proven advantages of an inverted bucket operation. Also available with optional IS-2 integral strainer connector with 20 x 20 mesh stainless steel strainer.

Virtually no steam loss

Steam does not reach the water-sealed discharge valve.

Purging action

Snap opening of the valve creates a momentary pressure drop and turbulence in the unit drained. This breaks up films of condensate and air and speeds their flow to the trap.

Sealed, tamperproof 304-L stainless steel package

Able to withstand freeze-ups without damage.

Excellent operation against back pressure

Since trap operation is governed by the difference in density of steam and water, back pressure in the return line has no effect on the ability of the trap to open for condensate and close against steam.

Resistance to damage from water hammer

Open bucket or float will not collapse as a result of water hammer.

Continuous air and CO₂ venting

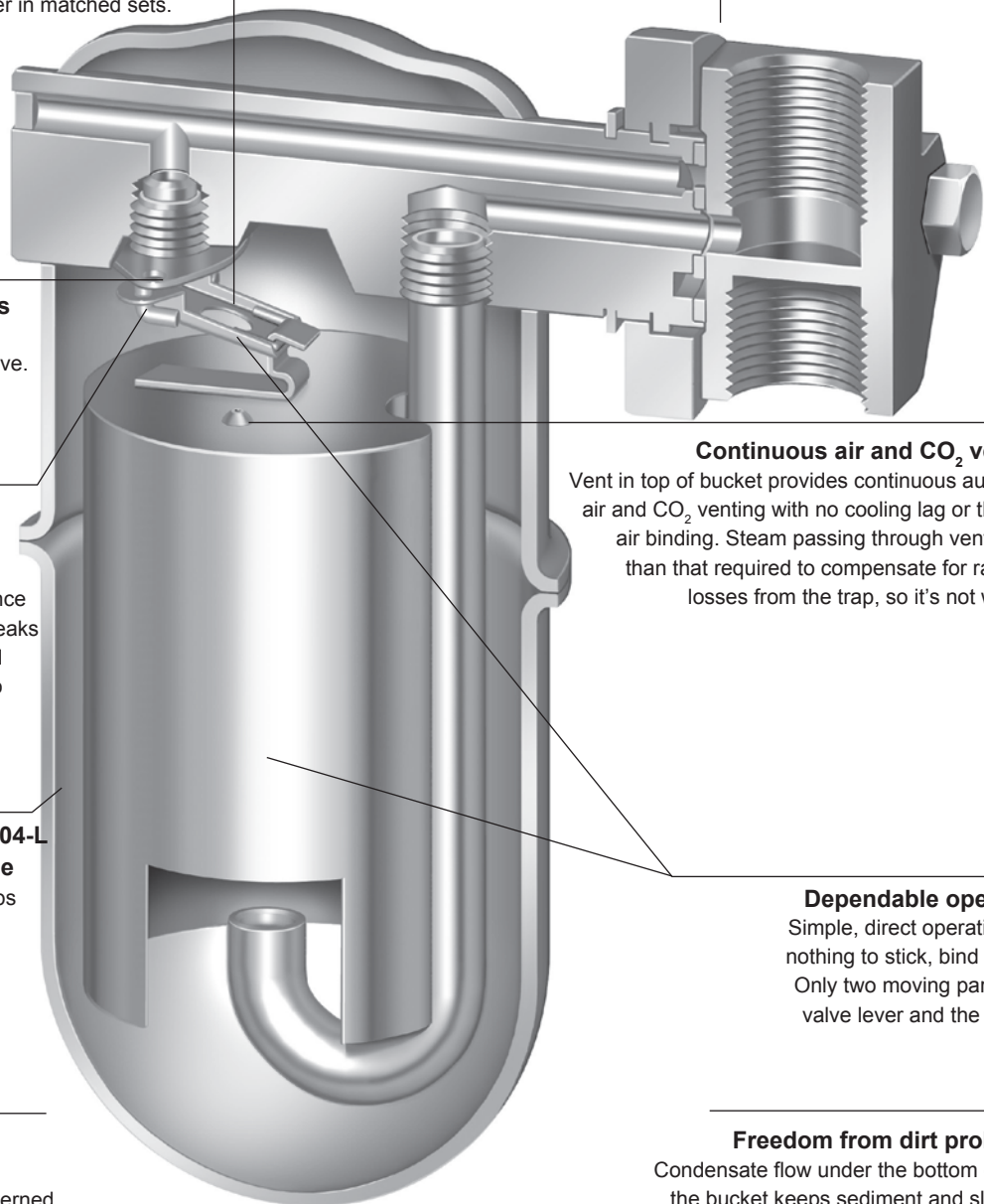
Vent in top of bucket provides continuous automatic air and CO₂ venting with no cooling lag or threat of air binding. Steam passing through vent is less than that required to compensate for radiation losses from the trap, so it's not wasted.

Dependable operation

Simple, direct operation with nothing to stick, bind or clog. Only two moving parts—the valve lever and the bucket.

Freedom from dirt problems

Condensate flow under the bottom edge of the bucket keeps sediment and sludge in suspension until it is discharged with the condensate. Valve orifice opens wide and closes tightly. No buildup of dirt or close clearances to be affected by scale.





2000 Series Stainless Steel Traps



For Pressures to 650 (45 bar) psig... Capacities to 1,300 lbs/hr (590 kg/hr)

With the Series 2000 360° universal connector, you can install inverted bucket efficiency and long service life in any piping configuration with little or no repiping. You get the reliability of the inverted bucket operating principle, plus all the benefits of all-stainless steel construction:

- A sealed, tamperproof package
- A compact, lightweight trap
- The ability to withstand freeze-ups without damage
- Exceptional corrosion resistance
- A three-year guarantee against defective materials or workmanship

Series 2000 steam traps combine savings in three important areas: energy, installation and replacement. The 360° universal connector provides quick, easy in-line renewability along with all the proven advantages of an inverted bucket operation. Choice of NPT or BSPT screwed connections, or socketweld connections.

Also available with IS-2 integral strainer connector.



Available with Standard Connector
Material: 304 stainless steel



Available with IS-2 Integral Strainer Connector (shown with optional blowdown valve)
Material: 304 stainless steel



Available with IS-4 Connector
Material: ASTM A351 Gr. CF8M





2000 Series Inverted Bucket Steam Trap

All Stainless Steel With 360° Connector/IS-2/TVS-4000



For Pressures to 650 psig (45 bar)...Capacities to 1,300 lb/hr (590 kg/hr)

Description

With the 2000 Series' 360° universal connector, you can install inverted bucket efficiency and long service life in any piping configuration with little or no repiping. You get the reliability of the inverted bucket operating principle, plus all the benefits of all-stainless steel construction:

- A sealed, tamperproof package
- A compact, lightweight trap
- The ability to withstand freeze-ups without damage
- Exceptional corrosion resistance
- A three-year guarantee against defective materials, defective workmanship.

2000 Series steam traps combine savings in three important areas: energy, installation and replacement. The 360° universal connector provides quick, easy in-line replacement along with all the proven advantages of inverted bucket operation.

Also available with optional IS-2 integral strainer connector.

Maximum Operating Conditions

Maximum allowable pressure (vessel design):
 Model 2010, 2011: 400 psig @ 800°F (28 bar @ 427°C)
 Model 2022: 650 psig @ 600°F (45 bar @ 315°C)
 627 psig @ 700°F (43 bar @ 371°C)
 600 psig @ 800°F (41 bar @ 427°C)

Maximum operating pressure:
 Model 2010: 200 psig (14 bar)
 Model 2011: 400 psig (28 bar)
 Model 2022: 650 psig (45 bar)

Connections

- Screwed NPT (option BSPT)
- Socket Weld (option)
- Flanged (option)

Materials

Body: ASTM-A 240 Grade 304L
 Internals: All stainless steel—304
 Valve and seat: Hardened chrome steel—17-4PH or Titanium
 Connector body (std & IS-2): Stainless steel—304
 Flange: ASTM A105 Zinc plated

Options

- Insu-Pak™ insulation for Models 2010/2011
- Stainless steel pop drain for Models 2011/2022
- Probe connection for Models 2011/2022
- Strainer blowdown valve for IS-2 connector
- Wiggle wire

360° Connector Styles

- Standard connector
- IS-2 connector with integral strainer
- IS-2 connector with integral strainer with blowdown valve

Specification

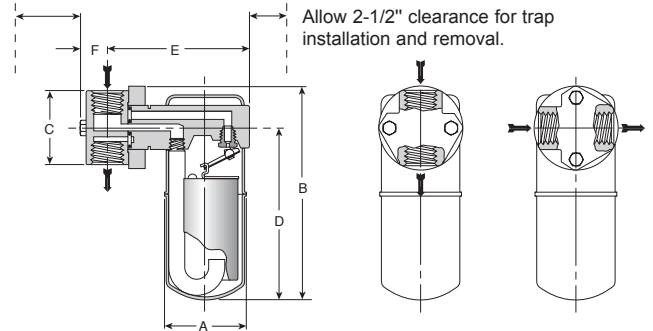
Inverted bucket steam trap, type ... in all stainless steel, freeze resistant, with 360° universal connector, having continuous air venting at steam temperature, free-floating stainless steel mechanism, and orifice at the top of the trap.

How to Order

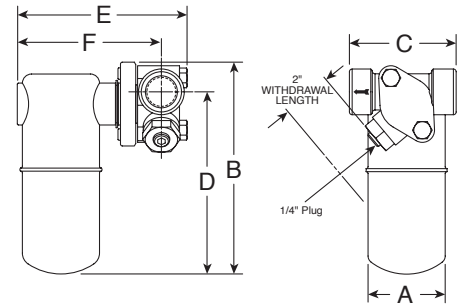
- Specify:
- Model number
 - Size and type of pipe connection
 - Type of 360° connector (with or without strainer)
 - Maximum working pressure that will be encountered or orifice size
 - Any options required

**For a fully detailed certified drawing, refer to:
 2000 Series with Standard Connector CD #1003
 2000 Series with IS-2 Connector CD #1113**

Allow 2-1/2" clearance for bolt installation and removal.



Model 2011 Trap With Standard Connector



Series 2010-2022 With IS-2 Connector

2000 Series Traps With Standard Connector						
Model No.	2010		2011		2022	
	in	mm	in	mm	in	mm
Pipe Connections	1/2, 3/4	15, 20	1/2, 3/4	15, 20	1/2, 3/4	15, 20
"A" (Diameter)	2-11/16	68	2-11/16	68	3-7/8	98
"B" (Height)	6	152	6-15/16	176	8-11/16	221
"C" (Face to Face)	2-3/8	60	2-3/8	60	2-3/8	60
"D" (Bottom to C)	4-19/32	117	5-9/16	141	7-3/8	187
"E" (C to Outside)	4-9/16	115	4-9/16	115	5-3/4	146
"F" (C to Bolt)	1	25	1	25	1	25
Weight lb (kg)	4-1/4 (1.9)		4-1/2 (2.0)		7 (3)	

2000 Series Traps With IS-2 Integral Strainer Connector												
Model No.	2010				2011				2022			
	in	mm	in	mm	in	mm	in	mm	in	mm	in	mm
Pipe Connections	1/2, 3/4	15, 20	1	25	1/2, 3/4	15, 20	1	25	1/2, 3/4	15, 20	1	25
"A" (Diameter)	2-11/16	68	2-11/16	68	2-11/16	68	2-11/16	68	3-7/8	98	3-7/8	98
"B" (Height)*	6	152	6	152	6-15/16	176	6-15/16	176	8-11/16	221	8-11/16	221
"C" (Face to Face)	3-1/2	89	4	102	3-1/2	89	4	102	3-1/2	89	4	102
"D" (Bottom to C)*	5	127	5	127	6	152	6	152	7-3/4	197	7-3/4	197
"E" (Outside to Bolt)	5-1/2	140	5-11/16	144	5-1/2	140	5-11/16	144	6-11/16	170	6-7/8	175
"F" (C to Outside)	4-5/8	117	4-13/16	122	4-5/8	117	4-13/16	122	5-13/16	148	6	152
Weight lb (kg)	4-3/4 (2.2)		5-1/4 (2.4)		5 (2.3)		5-1/2 (2.5)		7 (3)			

*Add 1/2" (15 mm) to "B" and "D" dimensions when optional probe connection is required



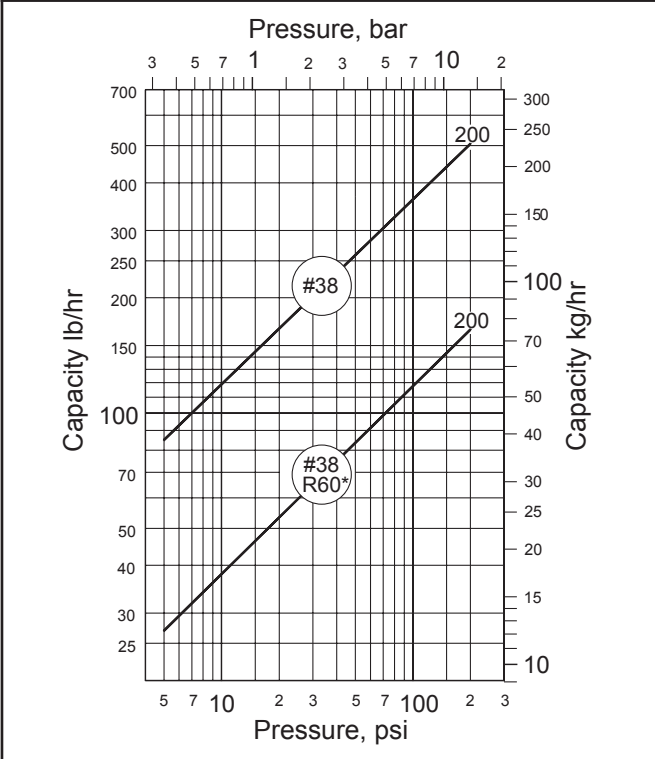
2000 Series Inverted Bucket Steam Trap

All Stainless Steel With 360° Connector/IS-2/TVS-4000

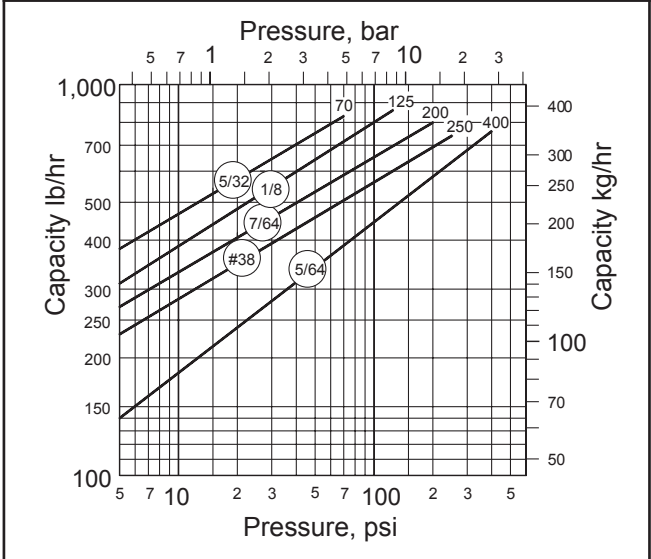


For Pressures to 650 psig (45 bar)...Capacities to 1,300 lb/hr (590 kg/hr)

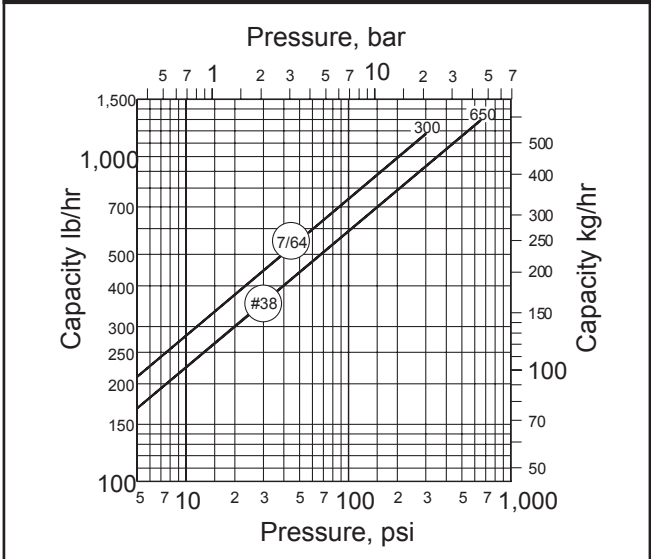
Model 2010 Capacity



Model 2011 Capacity



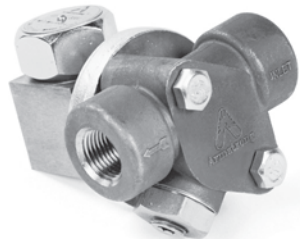
Model 2022 Capacity



*NOTE: Because the orifice is located at the top, inverted bucket steam traps handle dirt and scale better than other types of traps. However, in applications where extremely dirty conditions exist, care should be exercised in the use of all types of restricted-orifice, reduced-capacity traps.

Connectors

Besides the inverted bucket traps, the standard connector, IS-2 connector, and TVS-4000 connector with integral strainer can also be used on thermostatic, thermostatic wafer and disc traps.

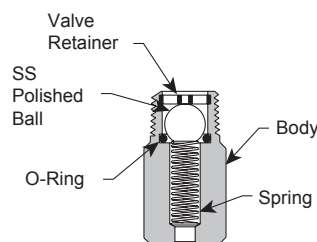


CD-3300 Disc Trap
With IS-2 Integral Strainer Connector

Options

Pop Drain for Freeze Protection

In general, a properly selected and installed Armstrong trap will not freeze as long as steam is coming to the trap. If the steam supply is shut off, a pop drain should be used to automatically drain the trap. Stainless steel pop drain available for Models 2011 and 2022.



Maximum Operating Conditions

Pressure: 600 psig (41 bar)
Temperature: 350°F (177°C)

Insu-Pak

Now you can insulate the in-line traps in your plant without complicating regular trap maintenance. Insu-Pak, a simple reusable insulation package, cuts the time and cost of in-field installation because it goes on in a snap. And it comes off just as easily. The Insu-Pak can prevent trap freeze-up when used with a properly designed condensate manifold. Designed for use with Model 2010 and Model 2011 traps.



Probe connections are available for trap monitoring for Models 2011 and 2022.