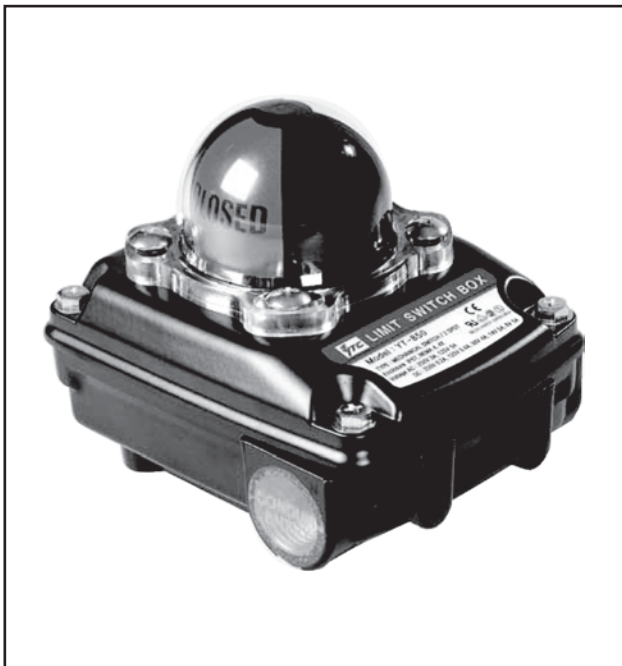
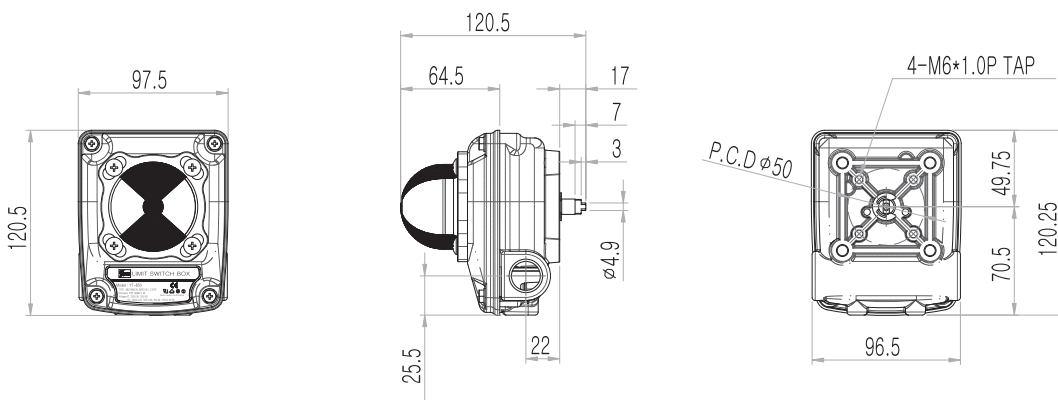


Product Number: YT-850 (specify your requirement)

Model	Switching Type	Connection Type	Bracket Type
YT-850	<input type="checkbox"/> Mechanical Type	<input type="checkbox"/> 1 NPT1/2	<input type="checkbox"/> 1 ST-1 (30*80,H20)
	<input type="checkbox"/> Proximity Type	<input type="checkbox"/> 2 PT1/2	<input type="checkbox"/> 2 ST-2 (30*80,H30)
		<input type="checkbox"/> 3 PF1/2	<input type="checkbox"/> 3 ST-3 (30*130,H30)
		<input type="checkbox"/> 4 M20	<input type="checkbox"/> 4 ST-4 (30*130,H50)



Item.Type	YT-850M	YT-850P
Switch Type	Mechanical Switch x 2	Proximity Sensor x 2
Switch Rating	AC:250V 3A, 125V 5A DC:250V 0.2A, 125V 0.4A, 30V 4A	12-24V DC (Operating voltage: 10-30V DC)
Enclosure Protection	IP67	
Ambient Temp.	-20 °C-80°C	
Conduit Entry	NPT1/2 (PT1/2,PF1/2,M20PG13.5)	
Terminal	8 Points	
Mouting Bracket	NUMBER VDI / VDE 3845, ISO 5211	
Material	Aluminum Diecasting	
Weight	880kg(1.94b)	



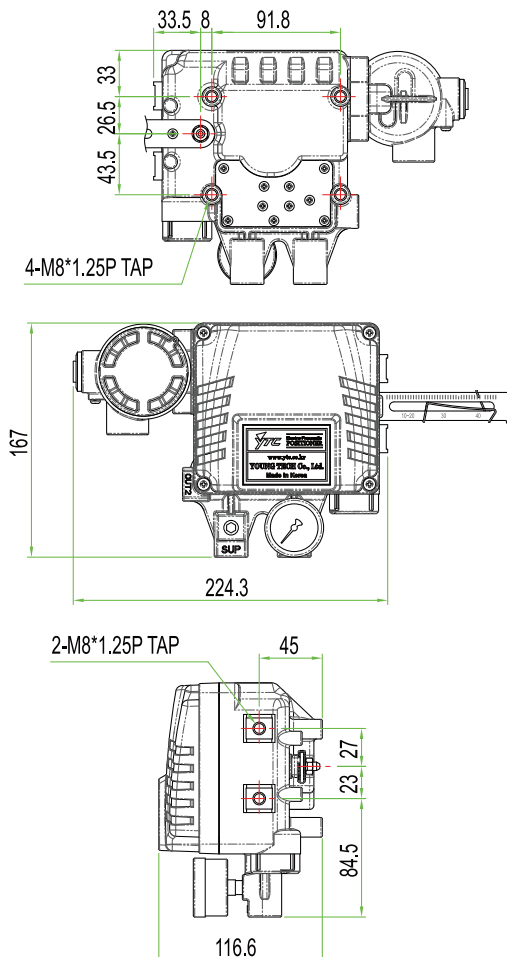
- Visual position indicator
- Easy adjustment of cam position
- 6 contacts of terminal ports
- Dual 1/2" conduit entries
- Compatibility with any rotary motion actuator <ISO5211>

*last updated 06/16

Product Number: YT-1000L (specify your requirement)

Model	Acting Type	Explosion Proof	Lever Type	Orifice Type	Connection Air Connection	Ambient Type*	Option2*
YT-1000L	S Single	m Ex dmb IIB T5 (KTL)	1 10-40mm	1 $\phi 1$	1 G1/2-PT1/4	S -20°C~60°C	0 NONE
	D Double	C Ex dmb IIC T5 (KTL)	2 30-70mm	2 $\phi 2$	2 G1/2-NPT1/4	H -20°C~120°C	2 + SPTM(Smart type)
		i Ex ia IIB T6 (KTL)	3 60-100mm	3 None	3 G1/2-G1/4	L -40°C~70°C	3 + SPTM with LCD (Smart type)
		n Non-Explosion	4 100-150mm		4 M20-NPT1/4		
		f Ex db IIB T5 (FM)			5 NPT1/2-NPT1/4		
		p Ex ia IIC T6 (NEPSI)					
	H Ex dmb IIC T5/T6 (NEPSI)						

*With high temp and/or internal SPTM option, Positioner must be non-explosion type.



Item.Type	Single	Double
Input Signal	4-20mA DC	
Impedance	250±15 Ω	
Supply Pressure	0.14~0.7MPa(1.4~7bar)	
Stroke	10~150mm	
Air Connection	PT (NPT,G) 1/4	
Gauge Connection	PT (NPT) 1/8	
Conduit	G(PF,NPT) 1/2, M20	
Explosion Proof	Ex dmb IIB T5 (KTL) Ex dmb IIC T5 (KTL) Ex ia IIB T6 (KTL) Ex ia IIC T6 (NEPSI) Ex dmb IIC T5/T6 (NEPSI)	
Enclosure	IP66	
Ambient Temp	-20°C~70°C (-4~158°F)	
	-20°C~60°C (-4~140°F)	
Linearity	±1%F.S.	±2%F.S.
Hysteresis	±1%F.S.	
Sensitivity	±0.2%F.S.	±0.5%F.S.
Repeatability	±0.5%F.S.	
Air Consumption	2.5LPM (sup=0.14MPa)	
Flow Capacity	80LPM (sup=0.14MPa)	
Material	Aluminum Diecasting	
Weight	2.7kg (6.1lb)	

*For additional SPTM specification refer to p.26

The Electro-Pneumatic Positioner YT-1000L is used for operation of pneumatic linear valve actuators by means of electrical controller or control system with an analog output signal of DC 4 to 20mA or split ranges.

- Simple zero and span adjustment
- RA v.s. DA action and 1/2 split range setting by simple adjustment
- Internal feedback signal is available as an option (weather proof only)
- No resonance between 5-20Hz
- Auto/Manual switch

*last updated 05/20