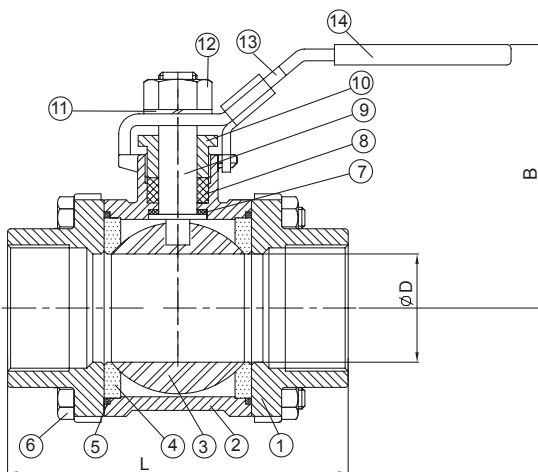




1000WOG/ PN 63

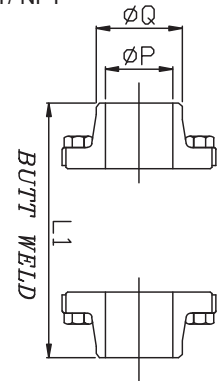
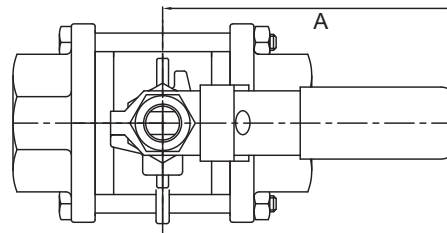
SIZE: 1/4"-2"



Specification

- For chemical and industrial applications
- Blow-out proof stem design
- 100% air tested under water at 80-100 psi
- Working pressure: 1000 psi
- Temperature range -60°F to 450°F
- End type: threaded/ Socket Weld/ Butt Weld/ BSPT/ NPT

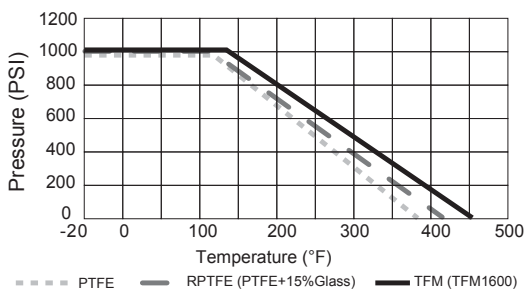
Complete with : locking device



Standard Material Specifications

No.	Part Name	Materials
1	End Cap	A351 Gr. CF8M
2	Body	A351 Gr. CF8M
3	Ball	SS 316
4	Ball Seats	TFM1600
5	Gasket	TFM1600
6	Bolts	SS 304
7	Thrust Washer	TFM1600
8	Stem Packing	TFM1600
9	Stem	SS 316
10	Gland	SS 304
11	Spring Washer	SS 304
12	Stem Nut	SS 304
13	Handle	SS 304
14	Handle Cover	PLASTISOL

PRESSURE TEMPERATURE RATINGS



Dimensions (mm)

Size	A	B	D	L	S	T	P	Q	L1	W(kg)	Alpha Code		
											BSPT	BW	NPT
1/4"	122	47	11	56.4	14.2	11.1	-	-	-	0.36	V24E047301	V24E047311	V24E047401
3/8"	122	47	12.5	56.4	17.5	11.1	-	-	-	0.36	V24E047302	V24E047312	V24E047402
1/2"	122	49	15	63.5	21.8	12.7	15.5	21.5	63.5	0.48	V24E047303	V24E047313	V24E047403
3/4"	142	55	20	75.5	27.1	14.3	20.6	27.5	75.5	0.84	V24E047304	V24E047314	V24E047404
1"	164	71	25	86	33.8	15.9	26.7	34.5	86	1.1	V24E047305	V24E047315	V24E047405
1-1/4"	164	76	32	96	42.5	17.5	35.1	42.8	104	1.78	V24E047306	V24E047316	V24E047406
1-1/2"	212	83	38	111	48.7	19.1	40.5	48	117	2.54	V24E047307	V24E047317	V24E047407
2"	212	94	50	129	61.1	22.2	52.4	61	138	4.12	V24E047308	V24E047318	V24E047408

*last updated 03/16