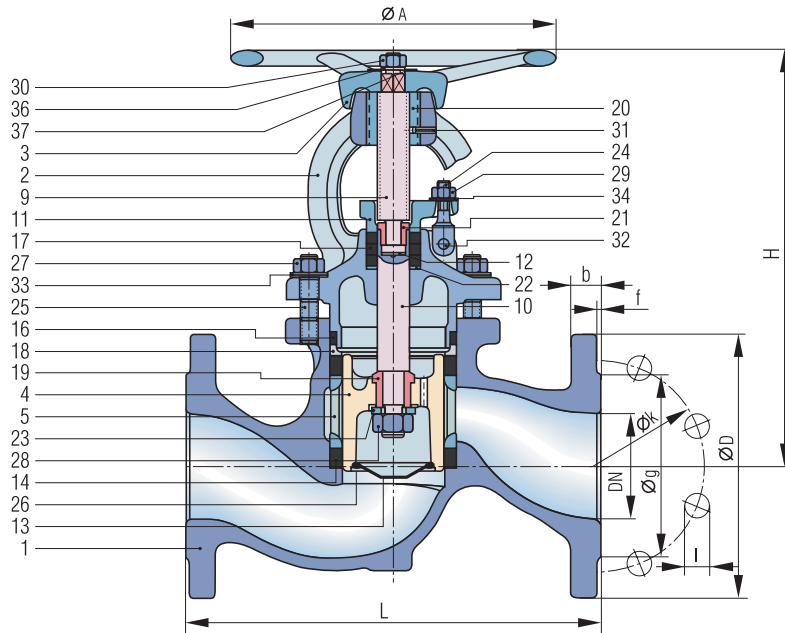


Flange acc. to EN 1092-2 VI, Flanges acc. to EN 1092-1 VIII
Material : Spheroidal Cast Iron , Cast Steel; Valve Ring KX-GT



Part Name	Material Code		
	VI/PN 16	VI/PN 40	VIII
1 Body	EN-JS 1025	EN-JS 1025	1.0619
2 Bonnet	EN-JS 1025	EN-JS 1025	1.0619
3 Handwheel	EN-GJL-200	EN-GJL-200	EN-GJL-200
4 Piston	1.4086	1.4086	1.4086
5 Lantern bush	EN-GJL-200	EN-GJL-200	EN-GJL-200
9 Spindle	1.4021	1.4021	1.4021
10 Piston shaft	1.4104	1.4104	1.4104
11 Gland retainer	EN-JS 1030	EN-JS 1030	EN-JS 1030
12 Disc	1.4401	1.4401	1.4401
13 Piston nose cone	1.4401	1.4401	1.4401
14 Upper valve ring	KX-GT	KX-GT	KX-GT
16 OT-valve ring	Graphit-L	Graphit-L	Graphit-L
17 Stuffingbox ring	KX-GT	KX-GT	KX-GT
18 Thrust piece	1.0308	1.0308	1.0308
19 Back seat	1.4104	1.4104	1.4104
20 Threaded bush	Sint C11 special	Sint C11 special	Sint C11 special
21 Split nut	1.4401	1.4401	1.4401
22 Washer	St12.03	St12.03	St12.03
23 Disc	A4	A4	A4
24 Swing bolt	5.6	5.6	5.6
25 Stud bolt	1.7709	1.7709	1.7709
26 Securing ring	1.4310K	1.4310K	1.4310K
27 Bonnet nut	1.1181	1.1181	1.1181
28 Hexagon nut notched	5 black	5 black	5 black
29 Bonnet nut	1.1181	1.1181	1.1181
30 Bonnet nut	1.1181	1.1181	1.1181
31 Tension pin	spring steel	spring steel	spring steel
32 Notched parallel pin	6.8	6.8	6.8
33 Belleville washer	50CrV4	50CrV4	50CrV4
34 Belleville washer	50CrV4	50CrV4	50CrV4
36 Serrated lock washer	spring steel	spring steel	spring steel
37 Type plate	Al	Al	Al

PN 40

DN 65-200
material code VI, VIII

PN 16

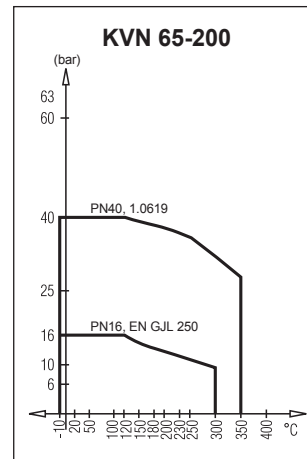
DN 65-200
material code VI

Overall length
acc. to EN 558-1 Grundreihe 1

Suggested order specification Shut-off valves

PN 40, PN 16

Designed as straight - through piston valves, backseat - relieved, sealed off by 3 flexible valve rings - stuffing box self retightening by means of Belleville washer, body made of spheroidal cast iron or cast steel. handwheel made of



cast iron, piston made of special Ni-ro-steel, overall length to EN 558-1 GR1, flanges drilled to EN 1092-1 resp. EN 1092-2

Make : KLINGER
Type: KVN VIII KX for DN 65-200

Ordering example :
KVN 65-VIII KX, PN40

PN 40 Overall Length in mm					Approx. Weight (kg)
DN	L	H	Hub	A	
65	290	306	49	250	25.0
80	310	327	59	250	31.8
100	350	375	63	280	47.8
125	400	447	83	320	75.8
150	480	477	93	360	107.5
200	600	561	118	400	180.0

PN 16 Overall Length in mm					Approx. Weight (kg)
DN	L	H	Hub	A	
65	290	194.5	50	265	20.3
80	310	219	58	265	27.6
100	350	260	78	300	38.3
125	400	303	86	400	55.0
150	480	331	98	400	85.0
200	600	561	118	400	180.0

m.c.	Body	Bonnet	Internal Part	Color
III	cast iron	cast iron	without copper alloy parts	Black phosphated
VI	spheroidal cast iron	spheroidal cast iron	without copper alloy parts	Black phosphated
VIII	cast steel	cast steel	without copper alloy parts	Black phosphated
Xc	stainless steel	stainless steel	stainless steel	polished pickled