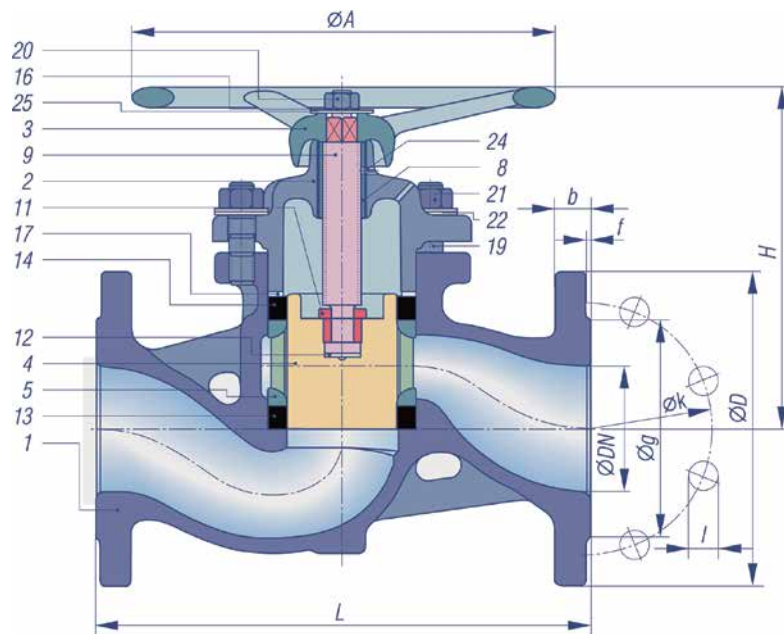


Flange acc. to EN 1092-2 PN 16,
Material: Cast Iron, Valve Ring KX-GT



Part Name	Material Code III
1 Body	EN-GJL 250
2 Bonnet	EN-GJL 250
3 Handwheel	EN-GJL-200
4 Piston	1.4136
5 Lantern bush	EN-GJL-200
8 Threaded bush	Sint C11
9 Spindle	1.4021
11 Split nut	1.4401
12 Disc	1.4401
13 Piston nose cone	1.4401
14 Upper valve ring	KX-GT
16 Serrated lock washer	Spring steel
17 Washer	St37/mat nickel
18 Securing ring	1.4310K
19 Stud bolt	1.1181
20 Handwheel nut	5
21 Bonnet nut	5
22 Belleville washer	50CrV4
24 Tension pin	Spring steel
25 Type plate	Al

PN 16

material code III

PN 6

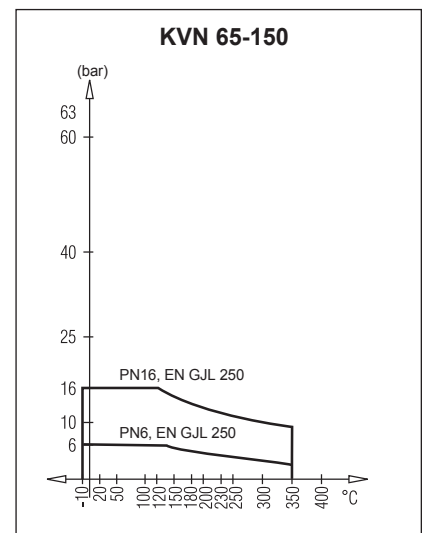
material code III

Suggested order specification Shut-off valves

PN 16, PN 6

Designed as straight - through piston valve, sealed off by 2 flexible valve rings-body and handwheel made of grey cast iron, piston made of special Niro-steel, overall length to EN 558-1 GR1, flanges drilled to EN 1092-2.

Make : KLINGER
Type : KVN III KX for
DN 65-150



Ordering example :
KVN 65-III KX, PN 16

Overall Length in mm					Approx. Weight (kg)	
DN	L	H	Hub	A	PN 6	PN 16
65	290	194.5	50	265	19.00	20.30
80	310	219	58	265	26.00	27.60
100	350	260	78	300	36.50	38.30
125	400	303	86	400	52.20	55.00
150	480	331	98	400	80.00	85.00