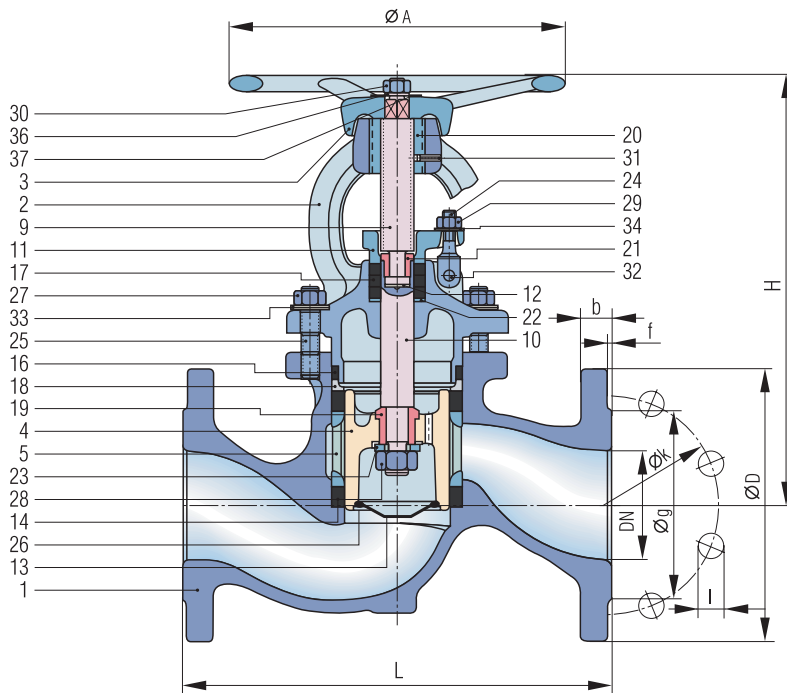


Piston Valve, ANSI 150/300 Flanged



Overall length

ANSI 150 : ANSI B 16.10 Class 150
ANSI 300 : ANSI B 16.10 Class 300

Connection

ANSI 150 : Flange according to
ANSI B 16.5 - Class 150 RF
ANSI 300 : Flange according to
ANSI B 16.5 - Class 300 RF

Material

Carbon steel - Klinger mat.
code VIII
Acid resistant steel - Klinger mat.
code Xc

Material Code

Type	Casting	Upper Part	Inner Part	Color of Valve
VIII	Cast Steel	Cast Steel	No Copper Alloy Parts	Blue
XC	Acid Resistant Steel	Acid Resistant Steel	Acid Resistant Steel	Unpainted, Pickled

Materials

Parts	Material Code		Parts	Material Code	
	VIII	Xc		VIII	Xc
1. Body	A-216 Glade WCB	A-351-CF8M	21. Split nut	AISI 1050	AISI 316
2. Bonnet	A-216 Glade WCB	A-351-CF8M	22. Washer	AISI 1008	AISI 316
3. Handwheel	Steel	Steel	23. Disc	AISI 316 Ti	AISI 316 Ti
4. Piston	A 276-430 F	A-351-CF8M	24. Swing bolt	A-193 B7	A-193 B8
5. Lantern bush	AISI A48-30 B	A-351-CF8M	25. Stud bolt	A-193 B7	A-193 B8
9. Spindle	A-276-430 F	AISI 316 L	26. Securing ring	AISI 301	AISI 301
10. Piston shaft	A-276-430 F	AISI 316 L	27. Hex. nuts	A-194 2H	A-193 B8
11. Gland retainer	AISI 60-40-18	A-351-CF8M	28. Hex. nuts	A-194 2H	A-193 B8
12. Disc	AISI 02	AISI 316-Ti	29. Hex. nuts	A-194 2H	A-193 B8
13. Piston nose cone	AISI 316	AISI 316	30. Hex. nuts	A-194 2H	A-193 B8
14. Valve ring	KX-GT	KX-GT	31. Tension pin	Spring steel	Stainless steel
16. OT valve ring	KX-L	KX-L	32. Notched parallel pin	Stainless steel	Stainless steel
17. Stuffing-box ring	KX-GT	KX-GT	33. Belleville washer	AISI 6150	AISI 440C
18. Thrust piece	Sintered steel	AISI 316	34. Belleville washer	AISI 1070	AISI 440C
19. Back seat	A-276-430F	AISI 316	36. Disc	Steel	Stainless steel
20. Threaded bush	Sintered Steel	AISI 316	37. Type plate	Al	AL

Dimension (inch)

Size						L		D		b		wt (lb.)		Drilling 150			Drilling 300		
	A	H	g	f	Stroke	150	300	150	300	150	300	150	300	No	l	Øk	No	l	Øk
2 1/2"	9.85	12.4	4.12	0.06	1.92	8.50	11.50	7.00	7.50	0.88	1.00	55.4	67.6	4	0.75	5.50	8	0.88	5.88
3"	9.85	13.25	5.00	0.06	2.24	9.50	12.50	7.50	8.25	0.94	1.12	77.0	85.8	4	0.75	6.00	8	0.88	6.62
4"	12.40	15.35	6.19	0.06	2.48	11.50	14.00	9.00	10.00	0.94	1.25	117	133.3	8	0.75	7.50	8	0.88	7.88
6"	15.75	19.60	8.50	0.06	3.66	16.0	17.50	11.00	12.50	1.00	1.44	237	259	8	0.88	9.50	12	0.88	10.62
8"	15.75	22.80	10.62	0.06	4.64	19.50	22.00	13.50	15.00	1.12	1.62	432	480	8	0.88	11.75	12	1.00	13.00