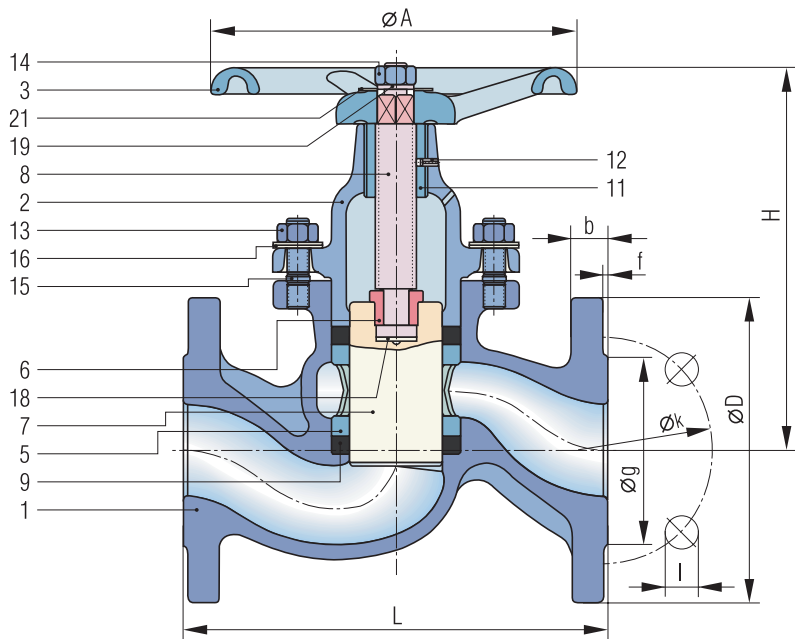
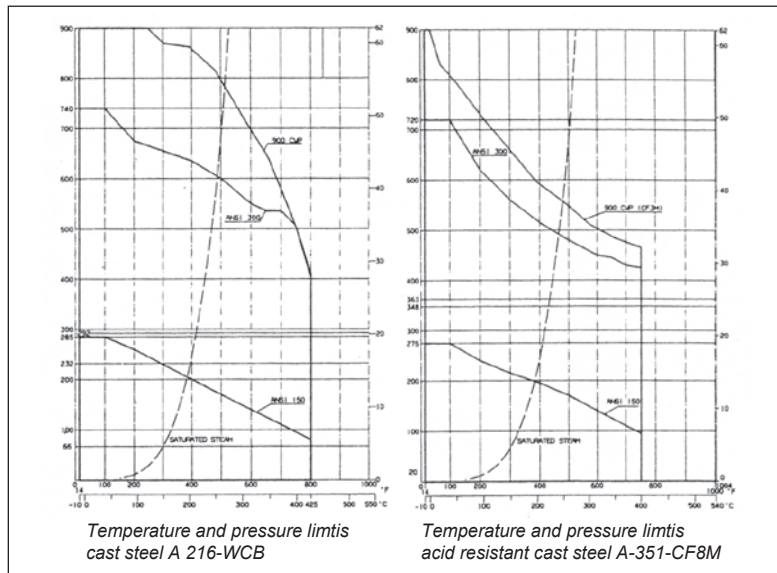


Piston Valve, ANSI 150/300 Flanged



Seal Rings			
Type	Description	Service	Temperature
KX-GT	graphite/metal laminate	high pressure	800 °F
KX 1	graphite/PTFE	EPA/TA-Luft	572 °F



Part 11 Threaded bush } only for DN 1 1/2"
 Part 12 Tension pin } and DN 2"

Overall length

ANSI 150 : ANSI B 16.10 Class 150
 ANSI 300 : ANSI B 16.10 Class 300

Connection

ANSI 150 : Flange according to
 ANSI B 16.5 - Class 150 RF
 ANSI 300 : Flange according to
 ANSI B 16.5 - Class 300 RF

Material

Carbon steel - Klinger mat.
 code VIII
 Acid resistant steel - Klinger mat.
 code Xc

Part	Material Code	
	VIII	Xc
1 Body	A-216 Grade WCB	A-351-CF8M
2 Bonnet	A-216 Grade WCB	A-351-CF8M
3 Handwheel	Steel	Steel
5 Lantern bush	Sintered Steel	A-351-CF8M
6 Split nut	AISI 1213	AISI 316-Ti
7 Piston	A-276 - 430 F	AISI 316L
8 Spindle	A-276-430 F	AISI 316L
9 Valve ring	KX-GT	KX-GT
11 Threaded bush	Sintered steel	AISI 316
12 Tension pin	Spring steel	Stainless steel
13 Hex. nuts	A-194 2H	A 193 B8
14 Hex. nuts	A-194 2H	A 193 B8
15 Stud bolts	A-193 B7	A 193 B8
16 Belleville washer	AISI 6150	AISI 1070
18 Disc	AISI 02	AISI 316 Ti
19 Disc	Steel	Stainless steel
21 Type plate	Al	Al

Flow Coefficients

Size	ANSI 150 (Cv)	ANSI 300 (Cv)
1/2"	4.9	5.3
3/4"	8.4	9.4
1"	12.5	14.6
1 1/2"	33.5	37.4
2"	55.8	58.6
2 1/2"	75.8	80.7
3"	119	122
4"	185	191
6"	373	392
8"	670.3	681

Dimension (inch)

Size						L		D		b		wt (lb.)		Drilling 150			Drilling 300		
	A	H	g	f	Stroke	150	300	150	300	150	300	150	300	No	l	Øk	No	l	Øk
1/2"	5	4.2	1.38	0.06	0.9	4.25	6	3.50	3.75	0.50	0.61	5.4	7.5	4	0.62	2.38	4	0.62	2.62
3/4"	5	4.8	1.69	0.06	1.1	4.62	7	3.88	4.62	0.53	0.70	7.8	11.2	4	0.62	2.75	4	0.75	3.25
1"	6.3	5.6	2	0.06	1.3	5	8	4.25	4.88	0.61	0.75	11	15.4	4	0.62	3.12	4	0.75	3.50
1 1/2"	8	7.6	2.88	0.06	1.7	6.5	9	5	6.12	0.75	0.87	23.4	30.5	4	0.62	3.88	4	0.88	4.50
2"	9.8	8.6	3.62	0.06	2	8	10.5	6	6.50	0.80	0.96	36	44.6	4	0.75	4.75	8	0.75	5