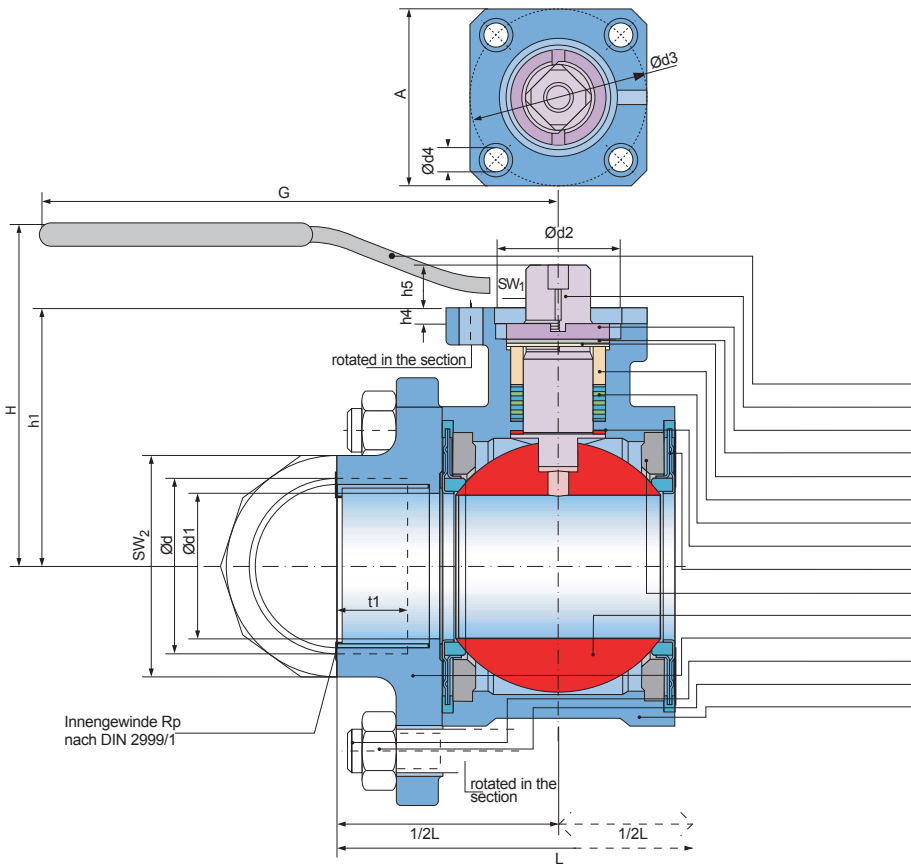


3-Piece Ball Valve



Description

- Reduced Port : Material code VIII/Steel PN 100/63 and Material code Xc/Acid-resistant steel PN 63/40
- Full Port : Material code VIII/Steel PN 100/40 and Material code Xc/Acid-resistant steel PN 63/40

Material VIII Steel Material Xc Acid-resistant

Lever	1.4006	1.4006
Operating stem	1.4104	1.4404
Stuffing box nut	1.4404	1.4404
Loading ring	1.4401	1.4401
Belleville washer	1.4310	1.4310
Female support ring	1.4404	1.4404
Stuffing box	K-Flon	K-Flon
Slip ring	KFC-25	KFC-25
Sealing element	X-KFC	X-KFC
Supporting ring	SINT D10	1.4404
Ball	1.4401	1.4401
Threaded connection	1.0619	1.4408
Screw bolt	8.8-A2L	A4-70
Hexagon nut	8-A2L	A4
Body	1.0619	1.4408

Connection

Pipe thread acc. to DIN/ISO 228/1

Dimension

Face-to-face dimensions acc. to
DIN 3202 Part 4-M3 (for Reduced Port)
DIN 3202 Part 4-M4 (for Full Port)

Leak Tightness

DIN 3230, Part 3, test level BO.
In accordance with the requirements of TA Luft.

Design Feature

3-piece ball valve, floating ball, antistatic, lockable.
Double leak-tightness in both port directions
Modular construction kit system: several versions of stuffing boxes and sealing elements available

Main Use

Generally for liquids and gases, other fluids see resistance table.

Automation

Flange connection acc. to ISO 5211, permits direct mounting of the actuator or mounting with bracket.
Pneumatic and electrical actuators possible.

Fire Safety (Special Version)

Fire safe acc. to API 607.

Dimension Ball Valve Reduced Port

Size DN	Dimensions			PN		Connecting Dimension					Mounting Flange for Actuator					Weight kg/pc			
	L	H	G	VIII	Xc	h1	Ød	Ød1	SW2	t1	ISO	A	SW1	Ød2	Ød3		Ød4	h4	h5
1/2"	85	80	130	100	63	35	Rp1/2"	15	35	14.5	F04	42	8	30	42	5.8	3	7	0.8
3/4" / R15	80	80	130	100	63	35	Rp3/4"	15	35	16	F04	42	8	30	42	5.8	3	7	0.7
1" / R20	90	94	160	100	63	46	Rp1"	20	41	17	F04	42	11	30	42	5.8	3	9	1.3
1 1/4" / R25	110	98	160	63	40	50	Rp1 1/4"	25	50	21	F04	42	11	30	42	5.8	3	9	1.9
1 1/2" / R32	120	106	250	63	40	65	Rp1 1/2"	32	55	21	F05	50	14	35	50	7	4	12	2.6
2" / R40	140	113	250	63	40	72	Rp2"	40	70	25	F05	50	14	35	50	7	4	12	4.5

Dimension Ball Valve Full Port

Size DN	Dimensions			PN		Connecting Dimension					Mounting Flange for Actuator					Weight kg/pc			
	L	H	G	VIII	Xc	h1	Ød	Ød1	SW2	t1	ISO	A	SW1	Ød2	Ød3		Ød4	h4	h5
1/2"	85	80	130	100	63	35	Rp1/2"	15	32	14.5	F04	42	8	30	42	5.8	3	7	0.8
3/4"	95	94	160	100	63	46	Rp3/4"	20	36	16	F04	42	11	30	42	5.8	3	9	1.5
1"	105	98	160	63	40	50	Rp1"	25	46	17	F04	42	11	30	42	5.8	3	9	2.1
1 1/4"	120	106	250	63	40	65	Rp1 1/4"	32	55	21	F05	50	14	35	50	7	4	12	2.9
1 1/2"	130	113	250	63	40	72	Rp1 1/2"	40	60	21	F05	50	14	35	50	7	4	12	4.7
2"	150	131	315	40	40	90	Rp2"	50	75	25	F07	70	17	35	70	10	4	15	7.4