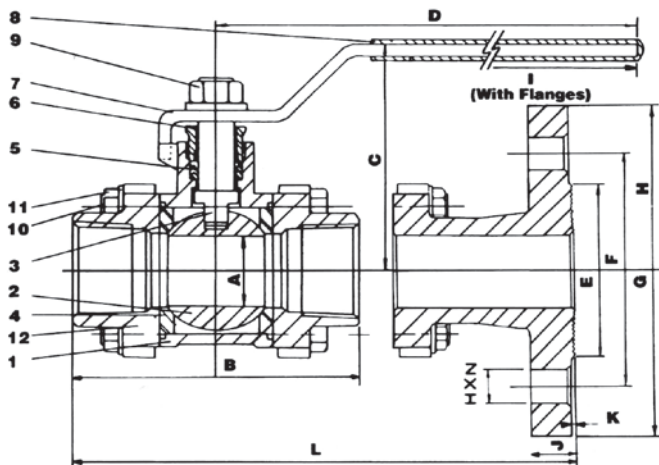
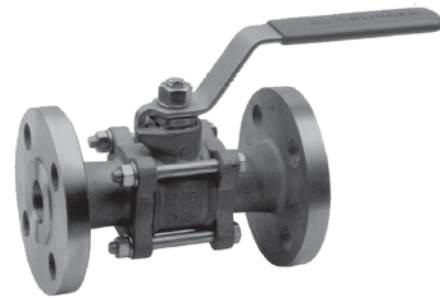


3-Piece Full Bore Ball Valve Investment Cast



Features

- Pressure rating 1000 psi non-shock for water, oil and gas
- Temperature range -29°C to 232°C
- Glass reinforced P.T.F.E. seats, P.T.F.E. steam seal
- Stainless steel handle, plastic insulated
- High Strength body bolts
- Blow-out proof stem
- Adjustable packing gland
- 3-piece design allowing withdrawal of centre valve body for cleaning or maintenance simply by removing body bolts-while the end pieces remain in-line. This design also permits welded connection of the end pieces into the pipeline
- 100% factory tested air underwater in open and closed position
- Hydrostatic test pressure 1500 psi
- Choice of end connection :
 - Female/female thread BSP.T, BSP.P, NPT and DIN
 - Weldable-Butt weld and socket weld flanged (refer Fig 109A) A.N.S.I 150 LB R,F.

Component	Material	
	106A / 109A	106C / 109C
1 Body	ASTM 351 GR CF8M	S45C
2 Ball	AISI 316	AISI 304
3 Stem	AISI 316	AISI 304
4 Seats	P.T.F.E +20% Glass Fibres	P.T.F.E +20% Glass Fibres
5 Stem Seal	P.T.F.E	P.T.F.E
6 Gland nut	AISI 304	AISI 304
7 Handle	AISI 304	AISI 304
8 Handle Sleeve	Vinyl Plactical	Vinyl Plactical
9 Handle Nut	AISI 304	AISI 304
10 Body Bolts	AISI 304	AISI 304
11 Nuts	AISI 304	AISI 304
12 End Pieces	ASTMA 351 / GR CF8M	S45C

Size	A	B	C	D	Torque (Nm)
8	11	63.6	44.2	103	4
10	12.5	63.6	44.2	103	4
15	15	73.6	48.9	103	5
20	20	85.9	57.3	109	6
25	25	97.8	78.2	145	8
32	32	120.1	82.3	145	10
40	40	133.6	93.0	180	20
50	50	155.4	98.7	180	25
65	65	186.5	130	230	40
80	80	221.2	142.1	300	60
100	100	241	165.5	400	120

This section refers to FIG 109 only,* with (L) flanges end to end.

Note: (I) & (J) handle height & length is altered to accommodate flange clearance

E	F*	G	H	I	J	K	L*	HxW	Size (mm)
35	60.5	89	77.6	140	11.2	1.5	130	16x4	15
43	70	98	85	140	12.7	1.5	150	16x4	20
51	79.5	108	104.9	170	14.2	1.5	160	16x4	25
64	89	117	109	170	15.7	1.5	180	16x4	32
73	98.5	127	119.3	230	17.5	1.5	200	16x4	40
92	120.5	152	125	230	19.8	1.5	230	19x4	50
105	139.5	178	136	350	22.4	1.5	290	19x4	65
127	152.5	190	148.1	350	23.9	1.5	310	19x4	80
157	190.5	229	165.5	400	23.9	1.5	350	19x8	100