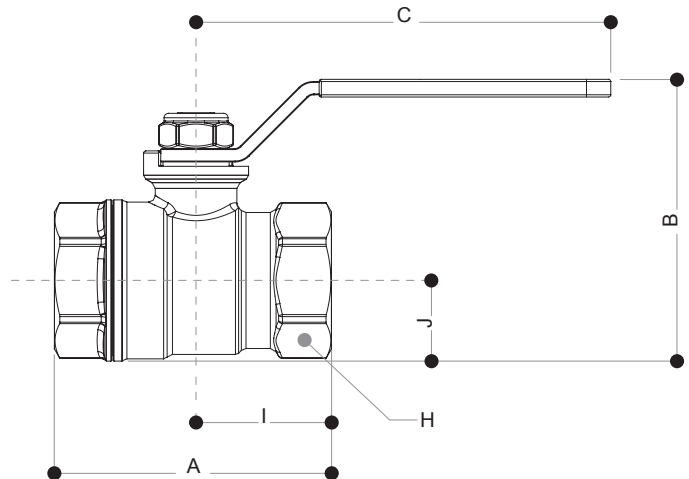




Standard Ball Valves



Materials

- Body : CW617N - EN 12165 hot-pressed brass, chrome plated
- Sleeve : CW617N - EN 12165 hot-pressed brass, chrome plated
- Stem : CW614N – EN 12164 bar turned brass, with inner and outer anti-friction rings and double sealing O-ring
- Ball : CW617N brass, chrome plated
- Gaskets : PTFE with low friction profile
- Handle : steel lever with plasticized coating
- Nut : with anti-corrosion coating, guarantee seal and hologram.

Field of application

- Max. working conditions with dry saturated steam : 185°C at 1.05 MPa (10,5 bar)
- Max. working pressure with water and not dangerous gas : 4.2 MPa (42 bar), from 1/4" to 3/4"
3.5 MPa (35 bar), from 1" to 2"
2.8 MPa (28 bar), from 2"1/2 to 4"
- Max. operating pressure (MOP) with gas : 0.5 MPa (5bar)
- Max. operating working pressure with fluid hydrocarbons : 1.2 MPa (12bar)

Dimensions

Size	DN	A	I	B	J	C	H	KV
1/4"	8	39	21	36	10	42	17	6.6
3/8"	10	45	22	46	14	77	21	6.7
1/2"	14	54	27	48	15	77	25	10.2
3/4"	18	62	31	64	18	94	32	18.5
1"	22	75	38	73	23	94	39	36.3
1"1/4	28	84	42	82	28	94	48	73.5
1"1/2	35	93	46	100	33	136	55	105
2	45	107	54	115	41	136	67	158
2"1/2	58	143	73	154	52	173	82	240
3"	68	160	80	169	60	173	98	269

*last updated 03/16

