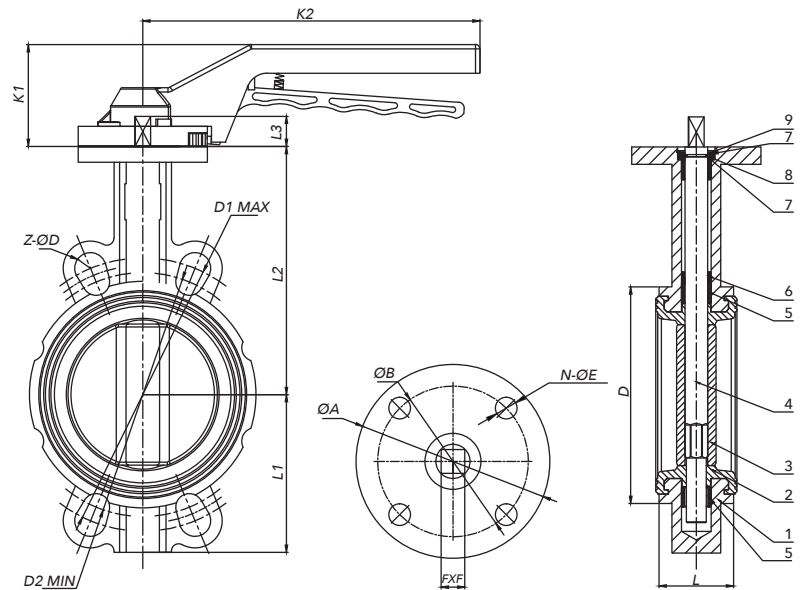




Type 203



Standard Material Specifications

No.	Part Name	Materials
1	Body	Ductile Iron
2	Seat	EPDM
3	Disc	CF8M
4	Valve shaft	2Cr13
5	Bushing	PTFE/Brass
6	Y-ring	EPDM
8	Gasket	45#
7	Shaft circlip	65Mn
9	Hole circlip	65Mn

Adoptive standard

- Upper flange standard : ISO5211
- Flange standard : DIN PN16
- Face to face : ISO 5752-20 sequence
- Pressure test conform API598
- Pressure 16 BAR

Torque value:

- the torque value (MD) in the table is start torque value for liquid and lubricated media without safety factor.
- Torque value for powder = MDX1.3
- Torque value for dry air or high viscosity medial = MDX1.2

Dimension

DN	L	L1	L2	L3	D	D1 MAX	D2 MIN	ØA	ØB	FXF	Z-ØD	N-ØE	K1	K2
DN 40	33 ⁻⁰ _{-0.5}	64	103	16	81.5	110	95	70	50	9	4-M16	4-Ø7	72	188
DN 50	43 ⁻⁰ _{-0.5}	66	131.5	16	92.5	125	105	70	50	9	4-M16	4-Ø7	72	188
DN 65	46 ⁻⁰ _{-0.5}	86	140	16	117	145	130	70	50	9	4-M16	4-Ø7	72	188
DN 80	46 ⁻⁰ _{-0.5}	94	154	16	131	160	145	70	50	9	8-M16	4-Ø7	72	188
DN 100	52 ⁻⁰ _{-0.5}	110	173	20	151	180	165	90	70	11	8-M16	4-Ø10	76	238
DN 125	56 ⁻⁰ _{-0.5}	128	189	25	183.5	210	200	90	70	14	8-M16	4-Ø10	76	238
DN 150	56 ⁻⁰ _{-0.5}	140.5	199	30	216	240	230	90	70	14	8-M20	4-Ø10	76	238
DN 200														

KV

DN (mm)	(in)	20°	30°	40°	50°	60°	70°	80°	90°
40	1½	-	2.4	8.6	16.1	22.5	35.3	46.0	53.5
50	2	1.3	8.6	13.9	23.5	40.7	53.5	69.6	91.0
65	2½	2	10	24	45	82	123	182	230
80	3	9	26	54	102	161	257	353	449
100	4	14	30	70	139	193	364	589	856
125	5	28	70	139	246	375	567	931	1081
150	6	37	96	214	385	685	963	1445	2247
200	8	46	193	375	621	1070	1712	3210	4280

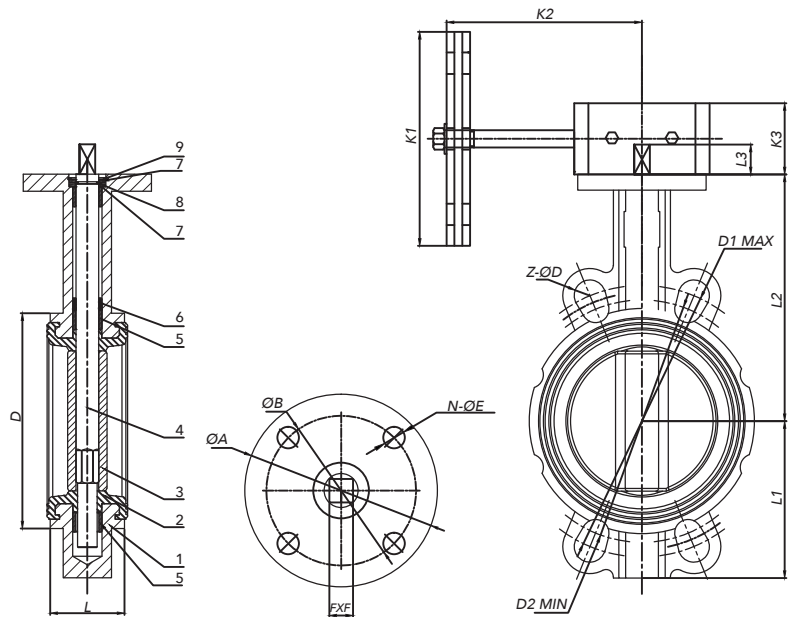
Torque (MD)

DN (mm)	(in)	6 (bar)	10 (bar)	16 (bar)
40	1½	8	9	13
50	2	9	11	15
65	2½	20	23	29
80	3	20	23	33
100	4	36	42	53
125	5	43	49	68
150	6	73	85	90
200	8	119	140	163

(Unit) : Nm



Type 203



Standard Material Specifications

No.	Part Name	Materials
1	Body	Ductile Iron
2	Seat	EPDM
3	Disc	CF8M
4	Valve shaft	2Cr13
5	Bushing	PTFE/Brass
6	Y-ring	EPDM
8	Gasket	45#
7	Shaft circlip	65Mn
9	Hole circlip	65Mn

Adoptive standard

- Upper flange standard : ISO5211
- Flange standard : DIN PN16
- Face to face : ISO 5752-20 sequence
- Pressure test conform API598
- Pressure 16 BAR

Torque value:

- the torque value (MD) in the table is start torque value for liquid and lubricated media without safety factor.
- Torque value for powder = MDX1.3
- Torque value for dry air or high viscosity medial = MDX1.2

Dimension

DN	L	L1	L2	L3	D	D1 MAX	D2 MIN	ØA	ØB	FXF	Z-ØD	N-ØE	K1	K2	K3
DN 150	56 ⁻⁰ _{-0.5}	140.5	199	25	216	240	230	90	70	14	8-M20	4-Ø10	150	226	50
DN 200	60 ⁻⁰ _{-0.5}	170	236	30	264.5	295	280	125	102	17	12-M20	4-Ø12	150	313	68
DN 250	68 ⁻⁰ _{-0.5}	205	277	30	322.5	355	345	125	102	22	12-M24	4-Ø12	150	313	68
DN 300	78 ⁻⁰ _{-0.5}	238.5	317	30	373.5	410	390	150	125	22	12-M24	4-Ø14	300	305	73
DN 350	78 ⁻⁰ _{-0.5}	265	360	30	419	470	435	150	125	27	16-M24	4-Ø14	300	305	73

KV

DN (mm)	(in)	20°	30°	40°	50°	60°	70°	80°	90°
150	6	37	96	214	385	685	963	1445	2247
200	8	46	193	375	621	1070	1712	3210	4280
250	10	134	385	706	1177	1926	3317	5671	6848
300	12	214	589	1070	1712	2782	5350	8025	9095
350	14	375	835	1498	2568	4280	8560	11556	12305

Torque (MD)

DN (mm)	(in)	6 (bar)	10 (bar)	16 (bar)
150	6	73	85	90
200	8	119	140	163
250	10	170	200	234
300	12	237	280	352
350	14	515	610	684

(Unit) : Nm