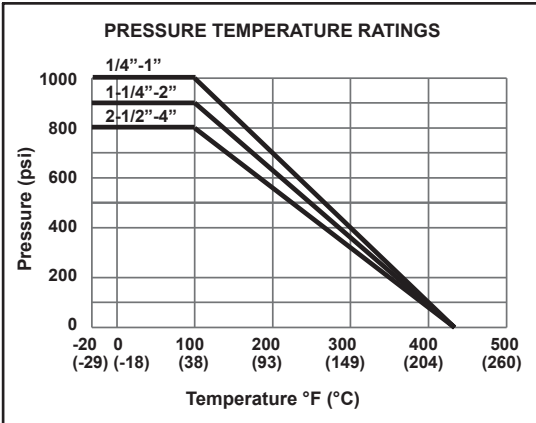
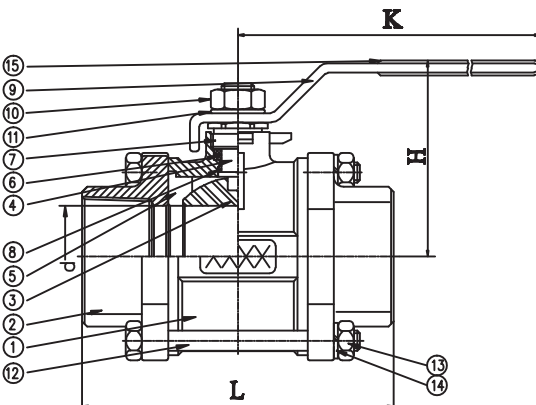
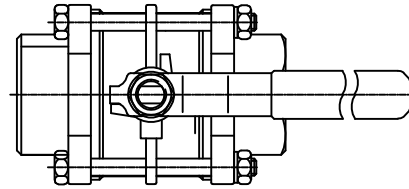


End Type : BSPT, ISO-228 Class A Thread
Material : Stainless Steel 316
Pressure : 1000PSI (PN63)
Temp : -60 °F to 450°F (-23 °C to 230 °C)
Seat : TFM 1600
Stem : SS316 Blow-out Proof



Standard Material Specifications			
No.	Part Name	Materials	Qty
1	Body	SS316	1
2	Cap	SS316	2
3	Ball	SS316	1
4	Stem	SS316	1
5	Ball Seats	TFM1600	2
6	Stem Packing	TFM1600	1
7	Gland	SS304	1
8	Thrust Washer	TFM1600	1
9	Handle	SS304	1
10	Handle Nut	SS304	1
11	Handle Washer	SS304	1
12	Bolts	SS304	4-6
13	Bolts Nuts	SS304	4-6
14	Bolts Washers	SS304	4-6
15	Handle Sleeve	Vinyl Grip	1

Dimensions (mm)					
Size	d	L	H	K	torque kgf - cm
1/4"	11.5	54.0	49.0	97.4	16
3/8"	12.5	54.0	49.0	97.4	16
1/2"	15.0	63.5	58.5	122.9	25
3/4"	20.0	72.5	61.0	122.9	44
1"	25.0	81.0	68.0	144.9	60
1-1/4"	32.0	94.5	73.5	144.9	105
1-1/2"	38.0	108.0	83.2	188.9	125
2"	50.0	121.5	91.0	188.9	220
2-1/2"	65.0	157.5	130.3	255.3	408
3"	80.0	190.0	138.5	260.8	550
4"	100.0	225.0	216.5	325.0	816

*last updated 03/16