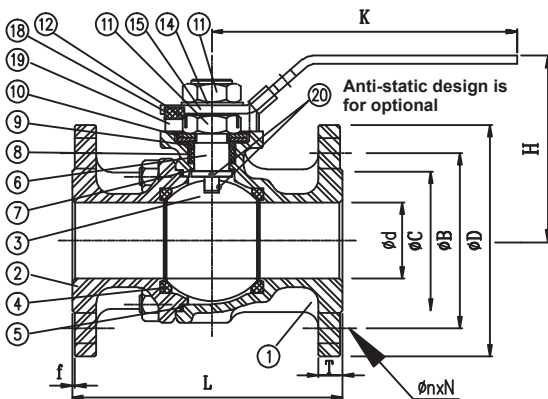
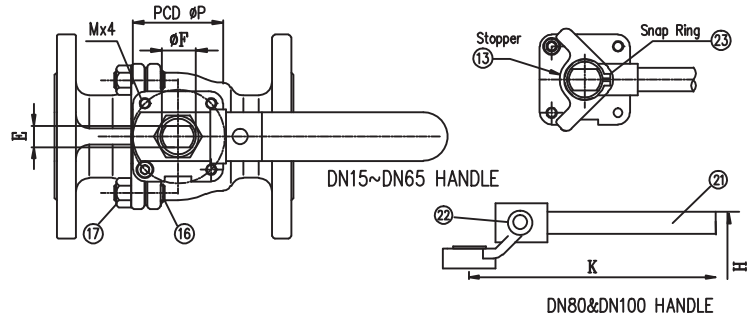


Feature and Specifications

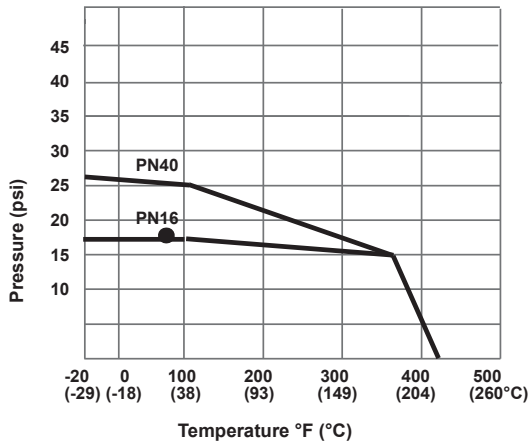
- Two piece design facilitates inspection and repair
- Blow-out proof stem
- Anti-Static design is for optional
- Temperature range : -20 to 450°F
- Face to face : DIN 3202 F4
- Flange dimensions : DIN 2633
- Mounting pad : ISO 5211
- Pressure rating : DN15~DN50 = PN16=PN40 DN65~DN100=PN16



Standard Material Specifications

No.	Part Name	Materials	Q'ty
1	Body	1.4408	1
2	Cap	1.4408	1
3	Ball	ASTM A351 GR. CF8M	1
4	Seat	TFM-1600	2
5	Gasket	TFM-1600	1
6	Stem	SS316	1
7	Thrust Washer	POLYFILL	1
8	Packing	PTFE	3
9	Ring	SS304	1
10	Bevel Washer	SS301	2
11	Hex. Nut	SS304	2
12	Lock	SS304	1
13	Stopper	SS304	1
14	Handle Washer	SS304	1
15	Handle	SS304	1
16	Bolt	SS304	DN15~DN50=4 DN65~DN80=6 DN100=8
17	Hex. Nut	SS304	
18	Bolt	SS304	1
19	Washer	SS304	1
20	Static Device	SPRING	2
21	Handle Pipe	SS304	1
22	Bolt	SS304	1
23	Snap Ring	SS304	1

PRESSURE TEMPERATURE RATINGS



Dimensions (mm)

DN	Size	Ød	ØB	ØC	ØD	E	ØF	H	K	L	T	f	Øn	N	M	ØP	torque kgf - cm
15	1/2"	15	65	45	95	8	12	72	145	115	16	2	14	4	M5	42	40
20	3/4"	20	75	58	105	8	12	74	145	120	18	2	14	4	M5	42	50
25	1"	25	85	68	115	8.7	14	81	165	125	18	2	14	4	M6	50	75
32	1-1/4"	32	100	78	140	8.7	14	87	165	130	18	2	18	4	M6	50	120
40	1-1/2"	38	110	88	150	15	22	126	240	140	18	3	18	4	M8	70	190
50	2"	50	125	102	165	15	22	136	240	150	20	3	18	4	M8	70	250
65	2-1/2"	65	145	122	185	15	22	155	240	170	18	3	18	4	M8	70	550
80	3"	80	160	138	200	17	25.8	167	354	180	20	3	18	8	M10	102	750
100	4"	100	180	158	220	17	25.8	179	354	190	20	3	18	8	M10	102	900

*last updated 03/16