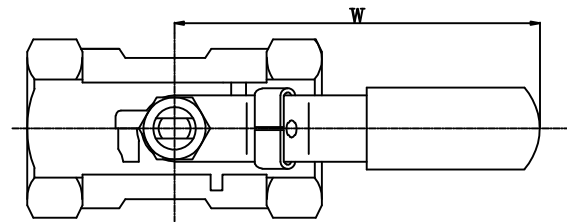
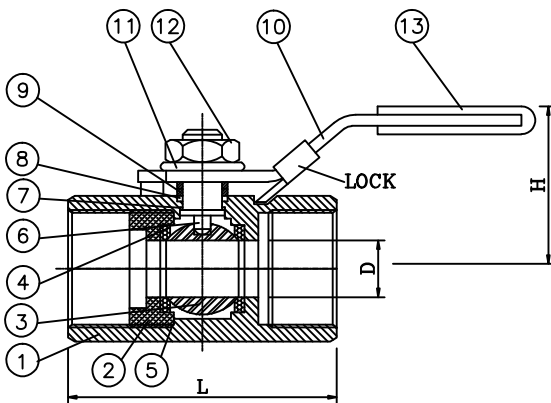




501S (Reduced Bore) 1/4"-2"

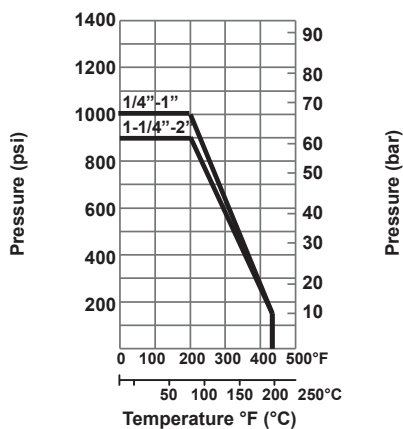
- End Type** : BSPT, ISO-228 Class A Thread
- Material** : CF8M (DIN 1.4408), Stainless Steel
- Pressure** : 1000PSI (PN63)
- Temp.** : -29 °F to 400 °F (-20 °C to 204 °C)
- Seat** : 25% C.PTFE
- Stem** : SS316 Blow-out Proof
- Options** : Oval Handle, Butterfly Handle
Padlocking Device
On Request DIN3202-M3 Length Available



Standard Material Specifications

No.	Part Name	Materials	QTY
1	Body	ASTM-A351-CF8M	1
2	Insert	ASTM-A351-CF8M	1
3	Ball	ASTM-A351-CF8M	1
4	Ball Seat	25% CPTFE	2
5	Joint Gasket	25% CPTFE	1
6	Stem	AISI 316	1
7	Thrust Washer	25% CPTFE	1
8	Stem Packing	25% CPTFE	1
9	Stem Washer	AISI 304	2
10	Handle	AISI 304	1
11	Spring Washer	AISI 304	1
12	Stem Nut	AISI 304	1
13	Plastic Cover	Plastic	1

PRESSURE TEMPERATURE RATINGS



Dimensions (mm)

Size	ØD±0.5	L±2.0	H±3.0	W±3.0	CV FACTOR	TORQUE kgf-cm	WT/KG
1/4"	5	40	27	72	3.8	12	0.07
3/8"	6.8	44	31	80	4	12	0.12
1/2"	9.2	58	35	97	4.5	13	0.20
3/4"	12.5	59	40	97	9	20	0.29
1"	15	70	50	115	16	38	0.43
1-1/4"	20	78	55	115	24	50	0.71
1-1/2"	25	83	60	142	37	72	0.84
2"	32	99	65	142	68	90	1.35

*last updated 03/16