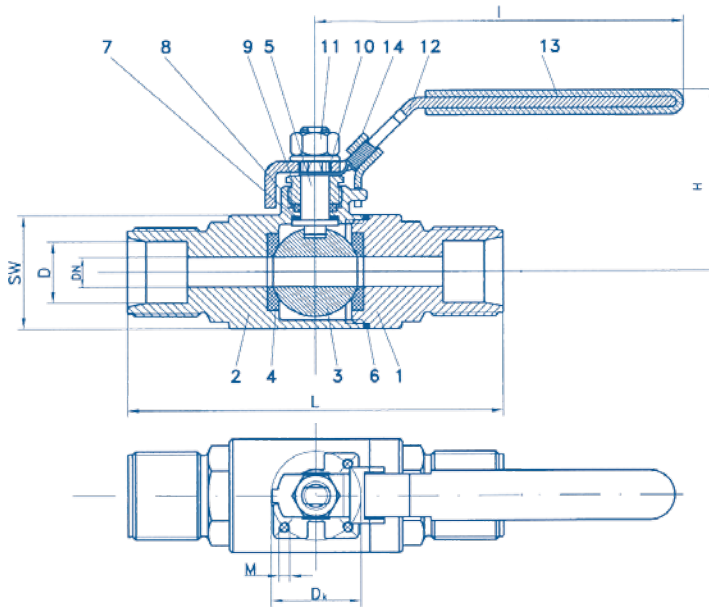


Ball Valves DN 4 - DN 16 PN 160



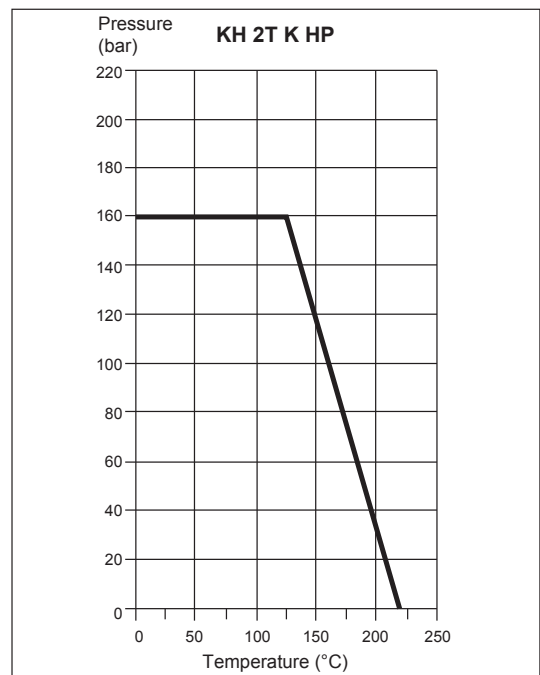
High pressure ball valve with clamping ring connection
 full bore design acc.to KLINGER material code Xc
 face to face DIN 3202 V1

Specification

Two-piece ball valve with clamping ring connection, high pressure PN 160, full bore, blow-out-proof stem, body material lost wax cast stainless steel (ASTM A351-CF8M/DIN 1.4408), seat PTFE glassfibre reinforced, stem packing PTFE, top flange DIN ISO 5211, free of non-ferrous metals, safety spring locking device is optional.

Part Name	Material Code VIII
1. Body	1.4408 = AISI 316
2. Cap	1.4408 = AISI 316
3. Ball	1.4408 = AISI 316
4. Seat	PTFE gf
5. Stem	1.4401 = AISI 316
6. Seal	PTFE gf
7. Thrust washer	PTFE
8. Stem packing	PTFE
9. Gland nut	1.4301 = AISI 304
10. Washer	1.4301 = AISI 304
11. Nut	1.4301 = AISI 304
12. Handle	1.4301 = AISI 304
13. Insulation cover	Vinyl
14. Spring locking device*	1.4301 = AISI 304

*Special type



Ordering example:
 KH 2T K HP-Xc, DN 6, PN 160

Dimension (mm)

DN mm	PN	Dimension (mm)				SW Width across in mm	Top Flange DIN ISO 5211	Dk	M	KV-Value m³/h	Weight kg
		D	L	H	I						
4	160	6	76	50	102	22	F04	42	M5	2	0.25
6	160	8	76	50	102	22	F04	42	M5	3	0.25
8	160	10	76	50	102	22	F04	42	M5	5	0.25
10	160	12	80	50	102	22	F04	42	M5	6	0.35
12	160	15	96	50	102	24	F04	42	M5	7	0.35
16	160	18	105	52	102	34	F04	42	M5	9	0.65