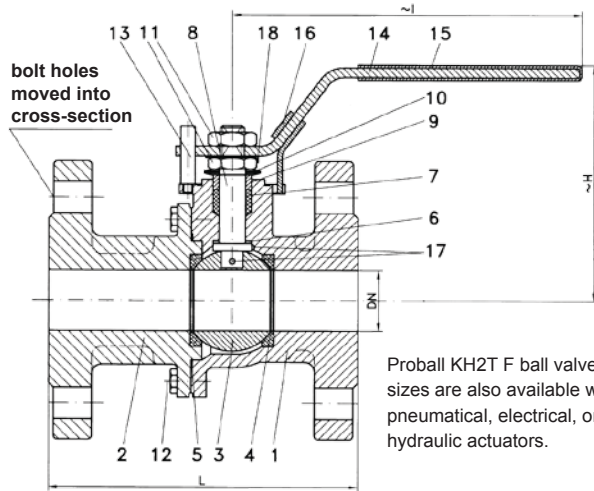


Ball Valves DN15 - DN100 PN 100/PN 16



Proball KH2T F ball valves of all sizes are also available with pneumatical, electrical, or hydraulic actuators.

Flanged ball valve, full bore, design acc. to KLINGER material code Xc, face to face acc. to EN 558-1, GR.1 (DIN 3202-F1); acc. to EN 558-1, GR. 27 (DIN 3202-F4); flanges acc. to EN 1092 (DIN 2501)

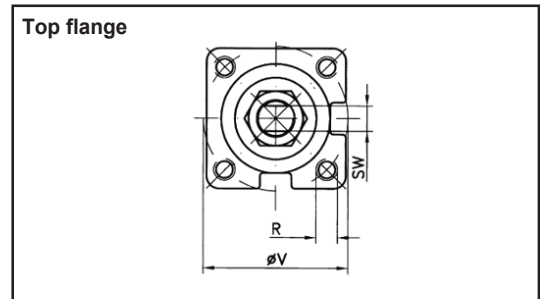
Specification

Two-piece ball valve, flanges acc. to EN 1092 (DIN 2501), face to face dimensions acc. to EN 558 -1, GR.1/GR.27 (DIN 3202-F1/-F4), full bore, blow-out proof stem, body material stainless steel (ASTM A351-CF8M/ DIN 1.4408), antistatic device, seat PTFE 25% glassfibre reinforced, stem packing PTFE, disc spring loaded acc. to German clean air act adjustable, floating ball, free of non-ferrous metals, approved by PED, top flange DIN/ISO 5211, safety spring locking device is optional.

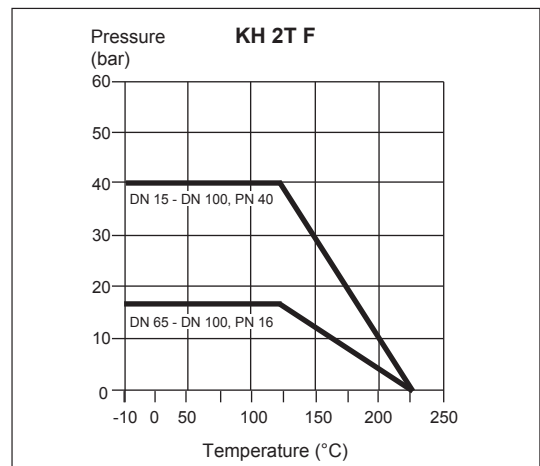
Part Name	Material Code VIII	Material Code Xc
1. Body	1.0619 (A216WCC)	1.4408 = AISI316
2. Cap	1.0619 (A216WCC)	1.4408 = AISI316
3. Ball	1.4408 = AISI316	1.4408 = AISI316
4. Seat	PTFE 25% gf (**PTFE)	PTFE 25% gf (**PTFE)
5. Seal	PTFE (**graphite/SS)	PTFE (**graphite/SS)
6. Thrust washer	PTFE gf (**PTFE - C)	PTFE gf (**PTFE - C)
7. Stem packing	PTFE (**graphite)	PTFE (**graphite)
8. Stem	1.4401 = AISI 316	1.4401 = AISI 316
9. Ring	1.4401 = AISI 316	1.4401 = AISI 316
10. Belleville washer	1.4301 = AISI 301	1.4301 = AISI 301
11. Nut	1.4301 = AISI 304	1.4301 = AISI 304
12. Screw	A2-70 / A4-70	A2-70 / A4-70
12.1 Stud bolt F4, DIN 3202	A2-70 / A4-70	A2-70 / A4-70
12.2 Nut F4, DIN 3202	A2-70 / A4-70	A2-70 / A4-70
13. Stop pin	1.4301 = AISI 304	1.4301 = AISI 304
14. Handle	1.4301 = AISI 304	1.4301 = AISI 304
15. Insulation cover	Vinyl	Vinyl
16. Spring locking device (Special type)	1.4301 = AISI 304	1.4301 = AISI 304
17. Antistatic element	1.4401 = AISI 316	1.4401 = AISI 316
18. Locking washer	1.4301 = AISI 304	1.4301 = AISI 304

*Special type

Dimension (mm)											
DN mm	DN inch	PN	Dimension (mm)				Top Flange	Torque Nm	Weight kg		
			H	I	L	F1			F4	ISO	PN16
15	1/2	-	40	85	160	130	115	F04	9	-	2.1
20	3/4	-	40	92	160	150	120	F04	10	-	3.0
25	1	-	40	106	173	160	125	F05	19	-	4.3
32	1 1/4	-	40	110	210	180	130	F05	33	-	5.8
40	1 1/2	-	40	116	210	200	140	F05	40	-	6.8
50	2	-	40	136	275	230	150	F07	65	-	11.0
65	2 1/2	16	40	150	275	290	170	F07	70	16	17.8
80	3	16	40	185.5	370	310	180	F10	90	19	22.7
100	4	16	40	200	370	350	190	F10	140	32	33.0



DN (mm)	V	R	SW
15	42 x	M 5x 0.8	8
20	42 x	M 5x 0.8	8
25	50 x	M 6x 1.0	10
32	50 x	M 6x 1.0	10
40	50 x	M 6x 1.0	10
50	70 x	M 8x 1.25	14
65	70 x	M 8x 1.25	14
80	102 x	M 10x 1.5	19
100	102 x	M 10x 1.5	19



Ordering example:
KH 2T F- Xc, DN 65,
PN 16, F1