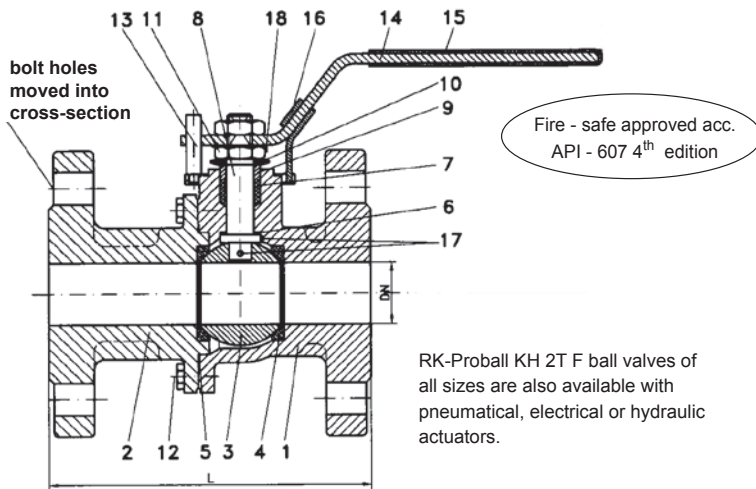


Ball Valves Size 1/2" - 4" ANSI 150 lbs



Flanged ball valve, full bore, design acc. to KLINGER material code Xc, face to face acc. to ANSI B 16.10, flanges acc. to B 16.5

Specification

Two-piece ball valve with flanges acc. to ANSI B 16.5, face to face acc. to ANSI B 16.10, full bore, blow-out-proof stem, body material; lost wax cast stainless steel (CF8M), or steel (WCB216/GS-C25), antistatic completion, seat PTFE 25% glassfibre reinforced, stem packing PTFE disc spring loaded acc. to German clean air act adjustable, floating ball, design free of non-ferrous metals, design acc. to vessel standard TRB 801.45, DIN ISO top flange design, ball valve is also available with safety spring locking device.

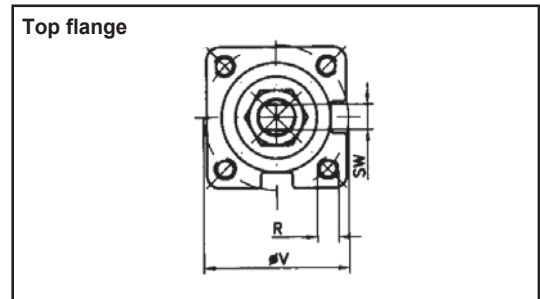
Marking: RK-Proball

Type: KH 2T F-VIII, KH 2T F-Xc

Part Name	Material Code VIII	Material Code Xc
1. Body	WCB 216 (GS - C25)	CF8M (1.4408)
2. Cap	WCB 216 (GS - C25)	CF8M (1.4408)
3. Ball	CF8M (1.4408)	CF8M (1.4408)
4. Seat	PTFE 25% gf (**PTFE)	PTFE 25% gf (**PTFE)
5. Seal	PTFE (**graphite/SS)	PTFE (**graphite/SS)
6. Thrust washer	PTFE gf (**PTFE - C)	PTFE gf (**PTFE - C)
7. Stem packing	PTFE (**graphite)	PTFE (**graphite)
8. Stem	1.4401 = AISI 316	1.4401 = AISI 316
9. Ring	1.4401 = AISI 316	1.4401 = AISI 316
10. Belleville washer	1.4301 = AISI 301	1.4301 = AISI 301
11. Nut	1.4301 = AISI 304	1.4301 = AISI 304
12. Screw	A2-70 / A4-70	A2-70 / A4-70
13. Stud bolt F4, DIN 3202	A2-70 / A4-70	A2-70 / A4-70
14. Nut F4, DIN 3202	A2-70 / A4-70	A2-70 / A4-70
15. Stop pin	1.4301 = AISI 304	1.4301 = AISI 304
16. Handle	1.4301 = AISI 304	1.4301 = AISI 304
17. Insulation cover	Vinyl	Vinyl
18. Spring locking device (Special type)	1.4301 = AISI 304	1.4301 = AISI 304
19. Antistatic element	1.4401 = AISI 316	1.4401 = AISI 316
20. Locking washer	1.4301 = AISI 304	1.4301 = AISI 304

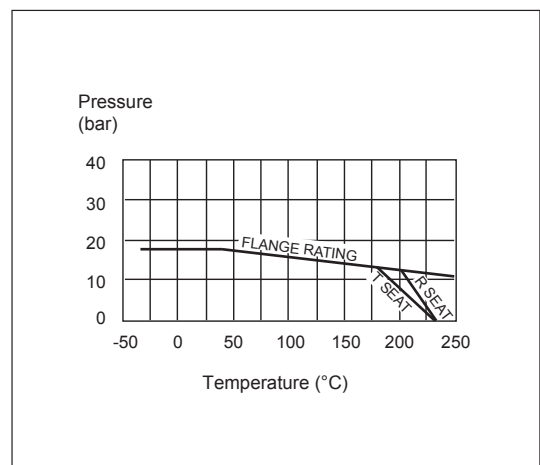
*Special type

**Fire Safe type



DN (mm)	V	R	SW
15	42 x	M 5x 0.8	8
20	42 x	M 5x 0.8	8
25	50 x	M 6x 1.0	10
32	50 x	M 6x 1.0	10
40	50 x	M 6x 1.0	10
50	70 x	M 8x 1.25	14
65	70 x	M 8x 1.25	14
80	102 x	M 10x 1.5	19
100	102 x	M 10x 1.5	19

Dimension (mm)											
DN mm	DN inch	PN	Dimension (mm)				Top Flange	Torque Nm	Weight kg		
			H	I	L	F1			F4	ISO	PN16
15	1/2	-	40	85	160	130	115	F04	9	-	2.1
20	3/4	-	40	92	160	150	120	F04	10	-	3.0
25	1	-	40	106	173	160	125	F05	19	-	4.3
32	1 1/4	-	40	110	210	180	130	F05	33	-	5.8
40	1 1/2	-	40	116	210	200	140	F05	40	-	6.8
50	2	-	40	136	275	230	150	F07	65	-	11.0
65	2 1/2	16	40	150	275	290	170	F07	70	16	17.8
80	3	16	40	185.5	370	310	180	F10	90	19	22.7
100	4	16	40	200	370	350	190	F10	140	32	33.0



Ordering example:
KH 2T F - Xc, DN 65,
ANSI 150