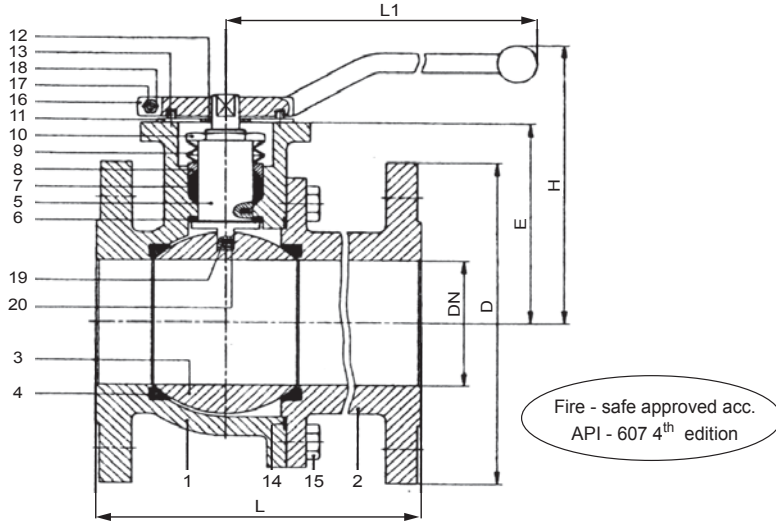


### Ball Valves Size 1/2" - 4" ANSI 300



Ball valve with flanges design acc. to KLINGER material codes VIII b and Xc face to face acc. to ANSI B 16.10 flanges ANSI 300

#### Specification

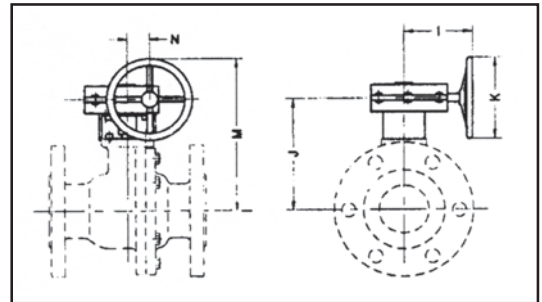
Two-piece ball valve with flanges acc. to ANSI 300 lbs, face to face acc. to ANSI B 16.10, full bore, blow-out-proof stem, stuffing box design with cone rings, German clean air act adjustable, body material cast steel (A216 WCC) or acid-resistant steel (A351 CF8M) completely enclosed body seal, vacuum seal, design without non-ferrous metals, seatings PTFE, PTFE-C or PTFE glassfibre reinforced, fire safe design or fire safe, disc-spring loaded stuffing box PTFE, PTFE-C or graphite, top flange acc. to DIN ISO 5211, quality assurance acc. to DIN ISO 9001.

Marking : RK-Chemoball  
 Type : KH 2F-VIII b, KH 2F-Xc

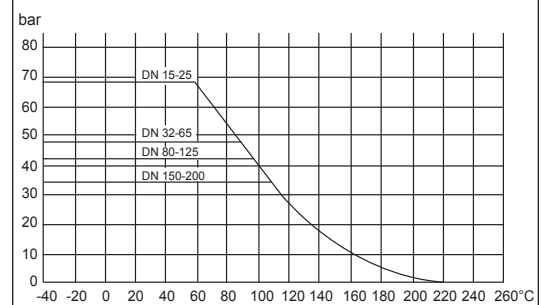
Part Name	Material Code VIII	Material Code Xc
1. Body	WCB 216 (GSC-25)	CF8M (1.4408)
2. Flange end piece	WCB 216 (GSC-25)	CF8M (1.4408)
3. Ball	CF8M (1.4408)	CF8M (1.4408)
4. Sealing element	PTFE 25% gf (**PTFE)	PTFE 25% gf (**PTFE)
5. Operating stem	1.4401 = AISI316	1.4401 = AISI316
6. Disc	PTFE 25% gf (**PTFE-C)	PTFE 25% gf (**PTFE-C)
7. Stuffing box	PTFE 25% gf (**graphite)	PTFE 25% gf (**graphite)
8. Sealing ring	1.4401 = AISI304	1.4401 = AISI304
9. Belleville washer	1.4310 = AISI301	1.4310 = AISI301
10. Hexagon nut	A2-70/A4-70	A2-70/A4-70
11. Bonnet	1.0351	1.4401 = AISI316
12. Bonnet ring	PTFE	PTFE
13. Stop pin	1.4301 = AISI304	1.4301 = AISI304
14. Body seal	PTFE	PTFE
15. Body bolt	A2-70/A4-70	A2-70/A4-70
16. Handle	1.4301 = AISI304	1.4301 = AISI304
17. Screw	A2-70/A4-70	A2-70/A4-70
18. Nut	A2-70/A4-70	A2-70/A4-70
19. Spring	1.7224	1.7224
20. Ball	1.4401 = AISI316	1.4401 = AISI316

\*Special type

\*\*Fire Safe type



#### Pressure temperature chart PTFE sealing ring Klinger Chemoball



#### Dimension 300 lbs

DN mm	DN inch	L	D	E	F	G	H	I	J	K	M	N	Gear Box	Weight kg
15	1/2	140	15	95	52	103	185	-	-	-	-	-	-	3.0
20	3/4	152	20	118	54	105	185	-	-	-	-	-	-	4.5
25	1	165	25	124	60	111	185	-	-	-	-	-	-	5.0
40	1 1/2	191	40	156	75	129	300	-	-	-	-	-	-	10.5
50	2	216	50	165	84	138	300	-	-	-	-	-	-	12.5
65	2 1/2	-	-	-	-	-	-	-	-	-	-	-	-	-
80	3	283	80	210	114	187	355	160	231	200	331	50	R1	27/31
100	4	305	100	254	128	201	355	160	245	200	345	50	R1	44/48