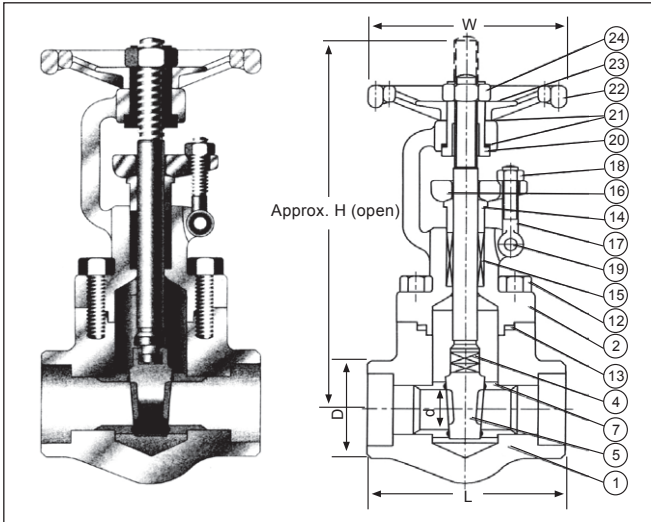


Description : Serves as efficient stop valves with flow in either direction. They are commonly used where a minimum of pressure drop is important because they offer practically no resistance to flow when fully open. Throttling is not conducive to accurate and consistent flow control. Also the valves may be damaged by the high velocity across the seats. They function best fully open or fully closed.



Forged steel gate valve bolted bonnet outside screwed & yoke

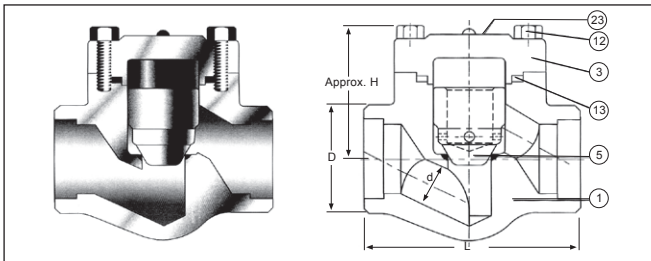
Materials

No	Part Name	Q' ty	Material-ASTM
1	Body	1	A105
2	Bonnet	1	A105
4	Stem	1	A276-410
5	Disc	1	A743-CA40
7	Seat Ring	2	A276-410
12	Bonnet Bolt	4	A193-B7
13	Gasket	1	SS304+Graphite
14	Gland	1	A276-410
15	GlandPacking	1set	Graphite W/Monel® Wire
16	Gland Flange	1	A105
17	Gland Bolt	2	A276-304
18	Gland Bolt Nut	2	A194-2H
19	Gland Bolt Pin	2	A276-304
20	Sleeve	1	A276-410
21	Sleeve Washer	2	A276-410
22	Handwheel	1	A197
23	Nameplate	1	Aluminum
24	Handwheel Nut	1	A108-1020

Dimensions

Class	Port	Valve Size		Center to Top, Open H		End to End L		Handwheel Diameter W		End Hub Diameter D		Port Diameter d		Approx. Weight	
		DN	in	mm	in	mm	in	mm	in	mm	in	mm	in	kg	lb
600 & 800	Reduced	15	1/2	139	5.47	73	2.87	75	2.95	32	1.26	10	0.39	1.4	3.1
		20	3/4	151	5.95	87	3.43	95	3.74	38	1.50	13	0.51	1.9	4.2
		25	1	181	7.13	98	3.86	95	3.74	46	1.81	19	0.75	2.7	6.0
		32	1.1/4	213	8.39	123	4.84	135	5.32	55	2.17	25	0.98	4.8	10.6
		40	1.1/2	226	8.90	143	5.59	135	5.32	62	2.44	30	1.18	5.4	11.9
		50	2	260	10.24	163	6.42	160	6.30	76	2.99	38	1.50	8.9	19.6

Description : Have an advantage over most other types of check valves in that they need only a relatively short lift to obtain full valve opening. The lift check valve uses a freemoving closure element that is placed above the seat. It prevents backflow and maintains pressure. The lift check valve is recommended to install in horizontal piping lines because the disc is pushed up by the flow until the flow reverses when gravity and down stream pressure close the closure element against the seat.



Forged steel lift check valve bolted cover

Materials

No	Part Name	Q' ty	Material-ASTM
1	Body	1	A105
3	Cover	1	A105
5	Disc	1	A743-CA40
12	Cover Bolt	4	A193-B7
13	Gasket	1	SS304+Graphite
23	Nameplate	1	Aluminum

Dimensions

Class	Port	Valve Size		Center to Top, Open H		End to End L		End Hub Diameter D		Port Diameter d		Approx. Weight	
		DN	in	mm	in	mm	in	mm	in	mm	in	kg	lb
800	Reduced	15	1/2	51	2.00	73	2.87	32	1.26	10	0.39	1.2	2.6
		20	3/4	55	2.17	87	3.42	38	1.50	13	0.51	1.3	2.9
		25	1	65	2.56	98	3.85	46	1.81	19	0.75	2.1	4.6
		32	1.1/4	76	2.99	123	4.84	55	2.17	25	0.98	4.0	8.8
		40	1.1/2	84	3.31	143	5.62	62	2.44	30	1.18	4.7	10.4
		50	2	101	3.98	163	6.41	76	2.99	37	1.46	7.1	15.6