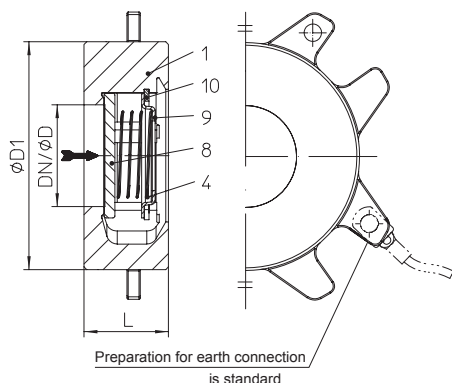

Fig. 001


Figure	Nom. pressure	Material	Nom. diameter
55.001	PN40	1.4408	DN15-100
Set pressure 0,02 barg			
Sealing of the valve plate			
standard: metallic sealing		Leakage rate BN2/BO3 acc. to DIN 3230-3	
optional: EPDM-soft sealing (max. 120°C)		Leakage rate A acc. to DIN EN 12266-1	

Selection of possible applications

Recycling facilities, chemical industry, hospital technology, process water installations, installations with aggressive media (other applications on request)

Selection of possible flow media

Process water, aggressive media, etc. (other flow media on request)

Material		
Pos.	Description	Fig. 55.001
1	Body	GX5CrNiMo19-11-2, 1.4408
4	Spring	X10CrNi18-8, 1.4310
8	Valve plate *	X6CrNiMoTi17-12-2, 1.4571
9	Spring plate	X6CrNiMoTi17-12-2, 1.4571
10	Retaining ring	X39CrMo17-1+QT, 1.4122+QT
* Spare part		

Information / restriction of technical rules need to be observed!

Operating instructions can be ordered by phone +49 (0)5207 / 994-0 or fax +49 (0)5207 / 994-158 or -159.

A production allowance acc. to TRB 801 No. 45 exists

The engineer, designing a system or a plant, is responsible for the selection of the correct valve.

Dimensions	DN	15	20	25	32	40	50	65	80	100
Alpha Code		V23E003D01	V23E003D02	V23E003D03	V23E003D04	V23E003D05	V23E003D06	V23E003D07	V23E003D08	V23E003D09
L	(mm)	16	19	22	28	31.5	40	46	50	60
ØD (acc. to DIN EN 14341)	(mm)	13	19	25	31	38	50	63	76	100
ØD1	(mm)	45	55	65	75	85	98	118	134	154
Kvs-value	(m³/h)	4.4	7.1	12	19.5	25	46	69	87	122
Zeta-value	--	4.18	5	4.33	4.4	6.54	4.72	6	8.64	10.73
Zeta-value ... range of tolerance for Kvs-values acc. to VDI/VDE 2173										

Face-to-face dimension FTF series 49 according to DIN EN 558

Weights										
Figure-No.	DN	15	20	25	32	40	50	65	80	100
55.001	(kg)	0.14	0.32	0.42	0.67	0.92	1.32	1.9	2.5	3.7

Standard-flange dimensions											
DN		(mm)	15	20	25	32	40	50	65	80	100
PN6	ØD	(mm)	80	90	100	120	130	140	160	190	210
PN6	ØK	(mm)	55	65	75	90	100	110	130	150	170
PN6	n x Ød	(mm)	4x11	4x11	4x11	4x14	4x14	4x14	4x14	4x18	4x18
PN16	ØD	(mm)	95	105	115	140	150	165	185	200	220
PN16	ØK	(mm)	65	75	85	100	110	125	145	160	180
PN16	n x Ød	(mm)	4x14	4x14	4x14	4x18	4x18	4x18	4x18	8x18	8x18
PN25	ØD	(mm)	95	105	115	140	150	165	185	200	235
PN25	ØK	(mm)	65	75	85	100	110	125	145	160	190
PN25	n x Ød	(mm)	4x14	4x14	4x14	4x18	4x18	4x18	8x18	8x18	8x22
PN40	ØD	(mm)	95	105	115	140	150	165	185	200	235
PN40	ØK	(mm)	65	75	85	100	110	125	145	160	190
PN40	n x Ød	(mm)	4x14	4x14	4x14	4x18	4x18	4x18	8x18	8x18	8x22

Pressure-temperature-ratings acc. to DIN EN 1092-1											
Material			-60°C to <-10°C*	-10°C to 100°C	150°C	200°C	250°C	300°C	350°C	400°C	450°C
1.4408	16	(bar)	16	16	14.5	13.4	12.7	11.8	11.4	10.9	--
1.4408	25	(bar)	25	25	22.7	21	19.8	18.5	17.8	17.1	--
1.4408	40	(bar)	40	40	36.3	33.7	31.8	29.7	28.5	27.4	--

Intermediate values for max. permissible operational pressures can be determined by linear interpolation of the given temperature / pressure chart.

* Studs and nuts made of A4-70 (at temperatures below -10°C)

*last updated 10/16